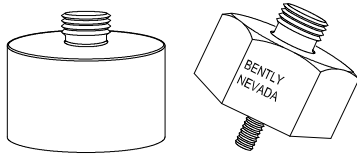


Seismic Transducer Mounting Systems

Bently Nevada™ Asset Condition Monitoring

Description



138648-01 Quick-Set
139153-01 MAG-Force

The Quick-Set and Mag-Force mounting systems provide an alternative method for mounting the following seismic transducers:

- 200150 Accelerometer
- 190520 Accelerometer
- 190501 Velomitor® CT

Either mounting system can be ordered as part of these transducers by specifying the appropriate mounting stud option. They are easier to implement than conventional stud mounting, and are stronger than most adhesive studs.

Note: These mounting systems are suitable only when it is not necessary to measure frequencies above 2kHz.

The Quick-Set system uses a low torque, self-tapping screw that can be screwed into a #26 pilot hole drilled in the machine casing. It also has a 3/8-in 24 stud to attach the transducer. This is usually easier to accomplish than drilling and tapping the machine to accept a threaded stud.

The Mag-Force system uses a powerful magnet in conjunction with a durable industrial strength adhesive. The combination of the magnet and adhesive provides a more durable installation than either one alone. Since it is not necessary to drill a hole in the machine, the costs associated with system documentation may be less than when the machine is drilled and tapped.

Specifications

138648 Quick-Set Transducer Mounting System

Physical

Hex Size:

1 inch

Self-Tapping Thread Size:

8-32 UNC.

Transducer Mating Thread Size:

3/8-in 24 UNF.

Environmental Limits

Temperature Rating:

-40°C to +260°C (-40°F to +500°F)

Corrosion Resistant to:

moisture, oils, light acids, and
bases.

139153 MAG-Force Transducer Mounting System.

Physical

Machine Surface Requirement:

A flat surface or a diameter
exceeding 300 mm (12 in).

Case Material:

17-4 Stainless Steel

Outside Diameter:

32 mm (1.25 in)

Transducer Mating Thread Size:

3/8-in 24 UNF

Environmental Limits

Temperature Rating:

-29°C to +121°C (-20°F to +250°F)

Corrosion Resistant to:

moisture, oils, light acids, and
bases.

Ordering Information

Quick-Set Transducer Mounting System

138648-01

Quick-Set Transducer
Mounting Adapter.

MAG-Force Transducer Mounting System

139153-01

MAG-Force Transducer
Mounting Adapter.

138730-01

Hex Adapter (1 per installation)
recommended.

Dimensional Drawings

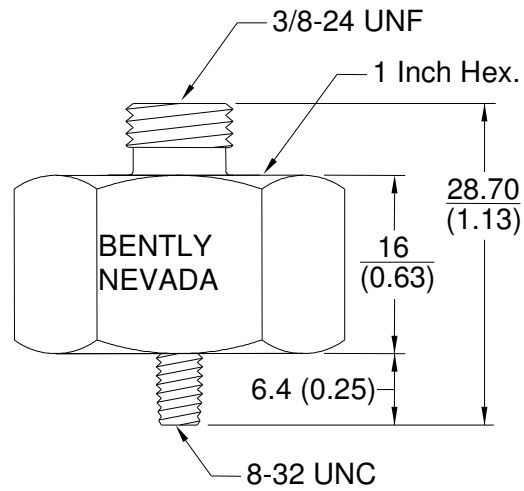


Figure 1: Quick-Set
Dimensions are in millimetres (inches)

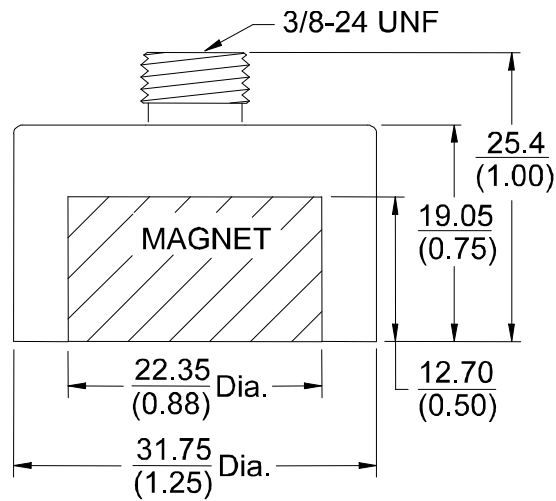


Figure 2: MAG-Force
Dimensions are in millimetres (inches)

Bently Nevada and Velomitor are trademarks of General Electric Company.

Copyright 1999. Bently Nevada LLC.
1631 Bently Parkway South, Minden, Nevada USA 89423
Phone: 775.782.3611 Fax: 775.215.2873
www.ge-energy.com/bently
All rights reserved.