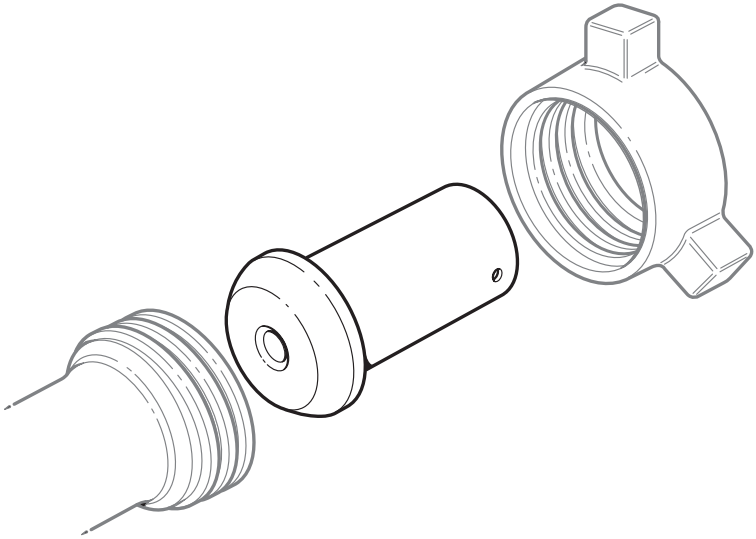


Druck PTX 661 Hammer Union Transmitter

User Instructions - KA233



Approved Service Agents

The following are approved agents for the servicing of Druck products.

France

Druck SA.,
19 Rue Maurice Pellerin,
92600 Asnières,
France.
Tel: (1) 43 34 24 75
Fax: (1) 43 34 86 08

Germany

Druck Messtechnik GmbH,
Auf dem Hohenstein 7,
61231 Bad Nauheim,
Germany.
Tel: (6032) 93300
Fax: (6032) 933080

Holland

Druck Nederland b.v.,
Postbus 232,
Zuideinde 37,
2991 Lj Barendrecht,
The Netherlands.
Tel: (01806) 11555
Fax: (01806) 18131

Italy

Druck Italia S.r.l
Via Magenta 77, edificio 5
20017 Rho Milano,
ITALY.
Tel: 00 02 932061
Fax: 00 02 93206299

BRAZIL

NAKA Instrumentacao Industrial Ltda.
A1. Sao Caetano, 2521,
CEP 09560-500
Sao Caetano do Sul - San Paulo,
BRAZIL
Tel: (011 55 11) 417-1177
Fax: (011 55 11) 417-1500 or 2224

Japan

Druck Japan KK,
Medie Corp Building 8,
2-4-14 Kichijyoji-Honcho,
Musashino,
Tokyo 180,
Japan.
Tel: (81) 422 20 7123
Fax: (81) 422 20 7155

UK

Druck Limited,
Fir Tree Lane
Groby,
Leicester LE6 0FH
England.
Tel: (0116) 231 7100
Fax: (0116) 231 7103

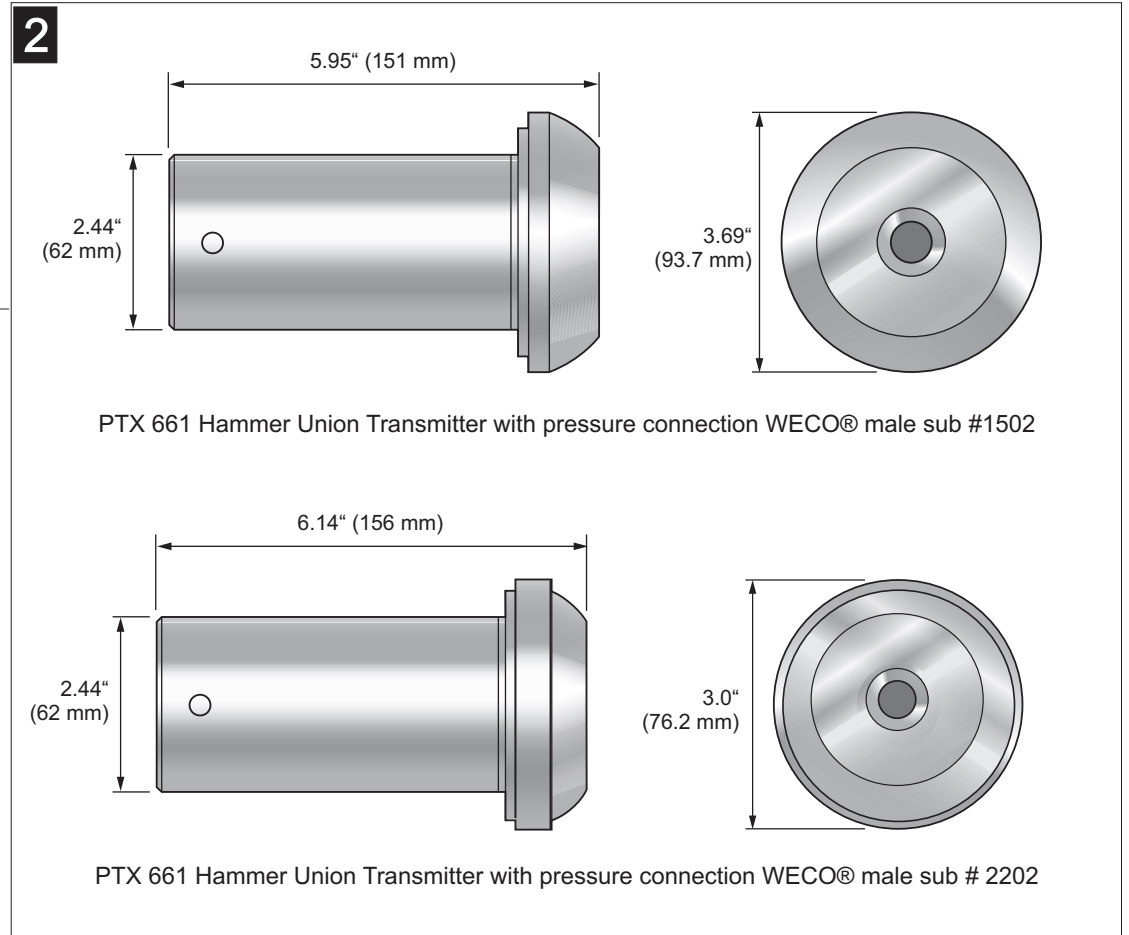
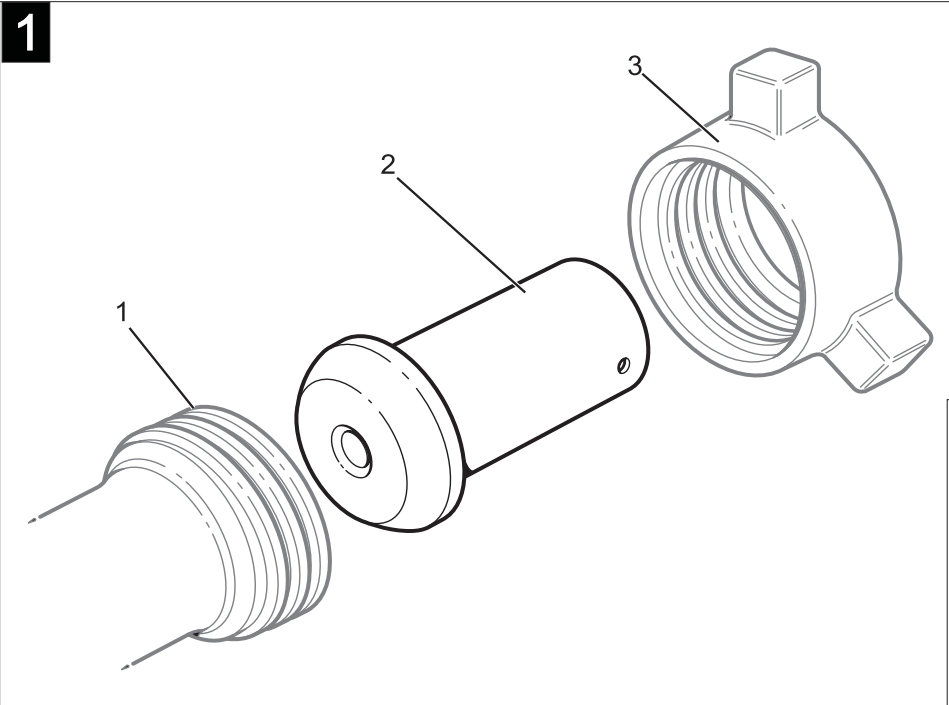
USA

Druck Incorporated,
4 Dunham Drive,
New Fairfield,
Connecticut 06812,
U.S.A.
Tel: (203) 746 0400
Fax: (203) 746 2494

Ruska Instrument Corporation
Service Center,
10311 Westpark Drive,
Houston, Texas 77042
U.S.A.
Tel: (713) 975 0547
Fax: (713) 975 6338

CANADA

SRP CONTROL SYSTEMS LTD.,
5155 Spectrum Way, Unit 19,
Mississauga, Ontario,
CANADA. L4W 5A1
Tel:(905) 238 2880
Fax:(905) 238 9590



Introduction

The Druck PTX 661 Hammer Union Transmitter accurately measures the pressure of fluids in pressure ranges up to 15,000 psi (0 to 1035 bar). The transmitter assembly has been designed to be located in a WECO® female sub and secured by a WECO® wrought nut.

The transmitter assembly comprises the pressure transmitter PTX 721-8518 contained in a sensor housing with a WECO® male sub pressure connection. A back end assembly and circlip seals the sensor housing; it requires a power supply of 10 to 28 V d.c. and produces an output of 4 to 20 mA.

Key to 1

- 1 WECO® female sub
- 2 WECO® male sub transmitter assembly
- 3 WECO® wrought nut

Installation

1. Before installation, inspect the transmitter for obvious signs of damage and distortion.

Recommended for non-intrinsically safe installations*

To avoid electrical interference, use shielded cable with the shield connected to ground at both ends.

2. Install the Hammer Union Transmitter Assembly in accordance with the WECO® Union Installation Instructions and, *for intrinsically safe installations, refer to Druck publication K383.

CAUTION: THE SENSING DIAPHRAGM CAN BE DAMAGED. WHEN CLEANING, DO NOT INSERT ANY SHARP OBJECT OR APPLY HIGH PRESSURE WATER DIRECTLY INTO THE PRESSURE PORT.

3. Before dismantling or reinstalling the transmitter, remove the mud and debris using a water pressure jet. Remove all encrusted mud and debris.

Note: To replace the transmitter refer to Druck Replacement Instructions publication KA234.

Specification

Pressure ranges:

- 0 to 5000 psi (345 bar)
- 0 to 10,000 psi (690 bar)
- 0 to 15,000 psi (1035 bar)

Proof pressure (or maximum working pressure)

- 1.5 x full-scale to 20,000 psi (1380 bar) maximum
- Containment..... 2 x full-scale to 20,000 psi (1380 bar) maximum
- Over-pressure 1.5 x full-scale to 20,000 psi (1380 bar) maximum
- Environmental protection IP66

Pressure media: Fluids compatible with NACE sour gas
..... 316L stainless steel, 625 Inconel and x750 Inconel

Druck PTX 661 Hammer Union Transmitter User Instructions

Accuracy:

Combined non-linearity, hysteresis and repeatability error .. $\pm 0.1\%$ BSL
Temperature error band..... $\pm 1\%$ of full-scale
Power supply 10 to 28 V d.c
Output 4 to 20 mA
Zero setting ± 0.16 mA ($\pm 1\%$ of span @ 42°F [23°C])
Span setting..... ± 0.08 mA ($\pm 0.5\%$ of span @ 42°F [23°C])

Temperature ranges:

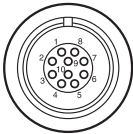
Storage -65°F to +302°F [-54°C to +150°C]
Operating..... -40°F to +248°F [-40°C to +120°C]
Compensated -4°F to +176°F [-20°C to +80°C]

Weight:

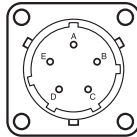
(*approximate*) 6 lbs (2.7 kg)

Dimensions..... see figure 2 (*not to scale*)

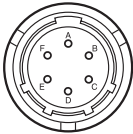
Refer to the data sheet for further details, other pressure ranges available on request.



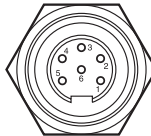
10-pin
Lemo connector
pin 5 +ve
pin 6 -ve



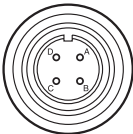
5-pin
MIL-C-26482 connector
pin A +ve
pin B -ve



6-pin
MIL-C-26482 connector
pin A +ve
pin B -ve



6-pin RSFLV-66
Turck Banner connector
pin 2 +ve
pin 3 -ve



4-pin
MIL-C-5015 connector
pin C +ve
pin B -ve

Connector details



This product complies with the requirements of the relevant EC directives. For data on the applied directives and standards refer to the 'Declaration of Conformity'.