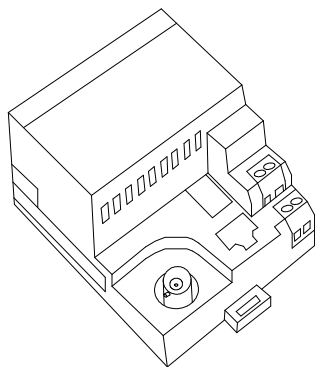


FieldMonitor™ Network Adapters

Bently Nevada™ Asset Condition Monitoring

Description

With the appropriate network adapter the FieldMonitor™ Machinery Protection System can communicate with a wide variety of machinery control systems. Network adapters for the following protocols are currently available and approved for use with the FieldMonitor System:



- Allen Bradley® Remote I/O protocol
- ControlNet™ protocol, single or redundant media
- DeviceNet™ protocol
- MODBUS™ protocol
- PROFIBUS™ DP protocol
- EtherNet/IP™ protocol

Specifications

Although you can purchase some Flex™ I/O adapters from us, you must obtain specifications from the manufacturer. See the manufacturer's website for more adapter information.

Rockwell Automation adapters are typically specified for use up to +55 °C (+131 °F). However, Rockwell Automation endorses the use of the Flex I/O adapters (1794-ACN15, -ACNR15, -ASB, -ADN & -AENT) under the following conditions:

- The ambient air entering the products shall not exceed +65 °C (+149 °F)
- Installations shall use fans along the Flex system to incorporate forced air cooling at a rate of 0.0519 m³/s (110 CFM). The cooling system can force air through the enclosure from bottom to top or top to bottom, although the former is recommended.
- The system shall be shut down upon fan failure.

Temperature Flex I/O from Rockwell Automation:

1794-IR8

RTD – 8 inputs

1794-IT8

Single-ended thermocouple – 8 inputs

1794-IRT8

TC and RTD - 2 sets of 4 inputs

Ordering Information

02200360

ControlNet single media network adapter

02200361

ControlNet redundant media network adapter

02200378

Allen Bradley Remote I/O network adapter

02200379

Device Net network adapter

02200381

MODBUS™ network adapter

02200179

PROFIBUS DP network adapter

Accessories

Adapter manuals, data sheets, and network accessories are available from adapter manufacturer.

Table 1: Flex™ I/O Network Adapters

Flex I/O Adapter - Network Protocol	Manufacturer	Manufacturer Part Number
ControlNet (single media)	Rockwell Automation www.rockwellautomation.com	1794-ACN15
ControlNet (redundant media)	Rockwell Automation www.rockwellautomation.com	1794-ACNR15
Remote I/O	Rockwell Automation www.rockwellautomation.com	1794-ASB/C
PROFIBUS DP	ProSoft Technology www.prosoft-technology.com	3170-PDP
MODBUS	ProSoft Technology www.prosoft-technology.com	3170-MBS
EtherNet/IP	Rockwell Automation www.rockwellautomation.com	1794-AENT

Dimensional Drawing

Note: All dimensions shown in millimetres (inches) unless noted otherwise.

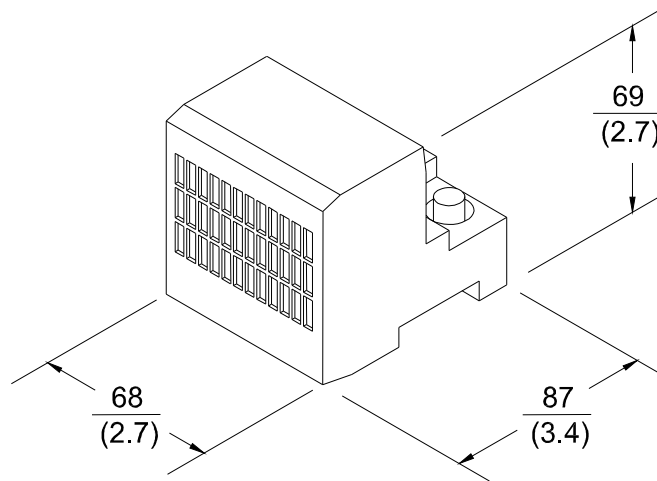


Figure 1: Typical Remote I/O, PROFIBUS DP, MODBUS and Other Adapter Dimensions

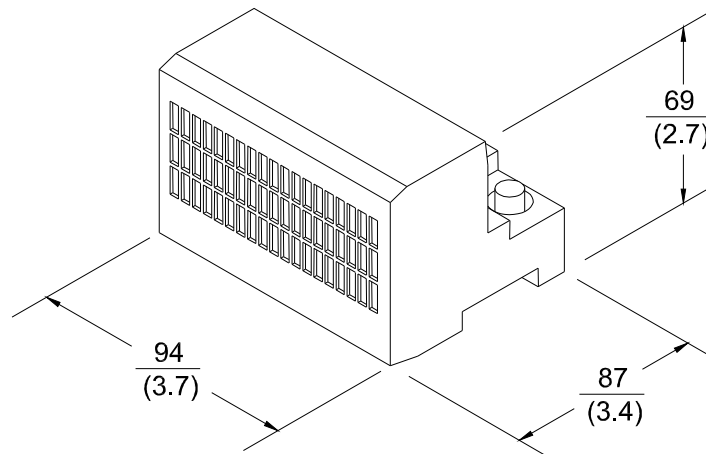


Figure 2: Typical ControlNet, EtherNet/IP and Other Adapter Dimensions

Bently Nevada and FieldMonitor are trademarks of General Electric Company.

Allen Bradley and Flex are trademarks of Rockwell Automation.

MODBUS is a trademark of Modbus-IDA.

ControlNet is a trademark of ControlNet International.

DeviceNet and EtherNet/IP are trademarks of the Open DeviceNet Vendor Association (ODVA).

PROFIBUS is a trademark of the PROFIBUS User Organization.

Copyright 2000. Bently Nevada LLC.

1631 Bently Parkway South, Minden, Nevada USA 89423

Phone: 775.782.3611 Fax: 775.215.2873

www.ge-energy.com/bently

All rights reserved.

Specifications and Ordering Information

Part Number 141477-01

Rev. C (01/08)