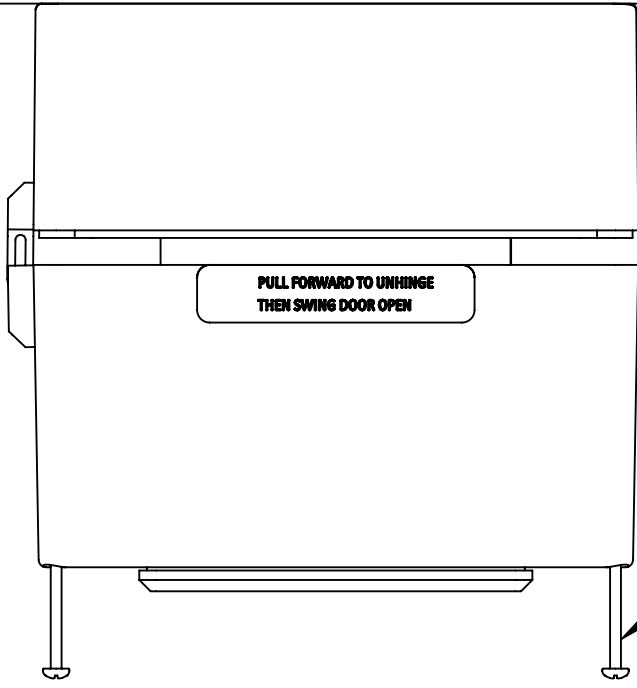


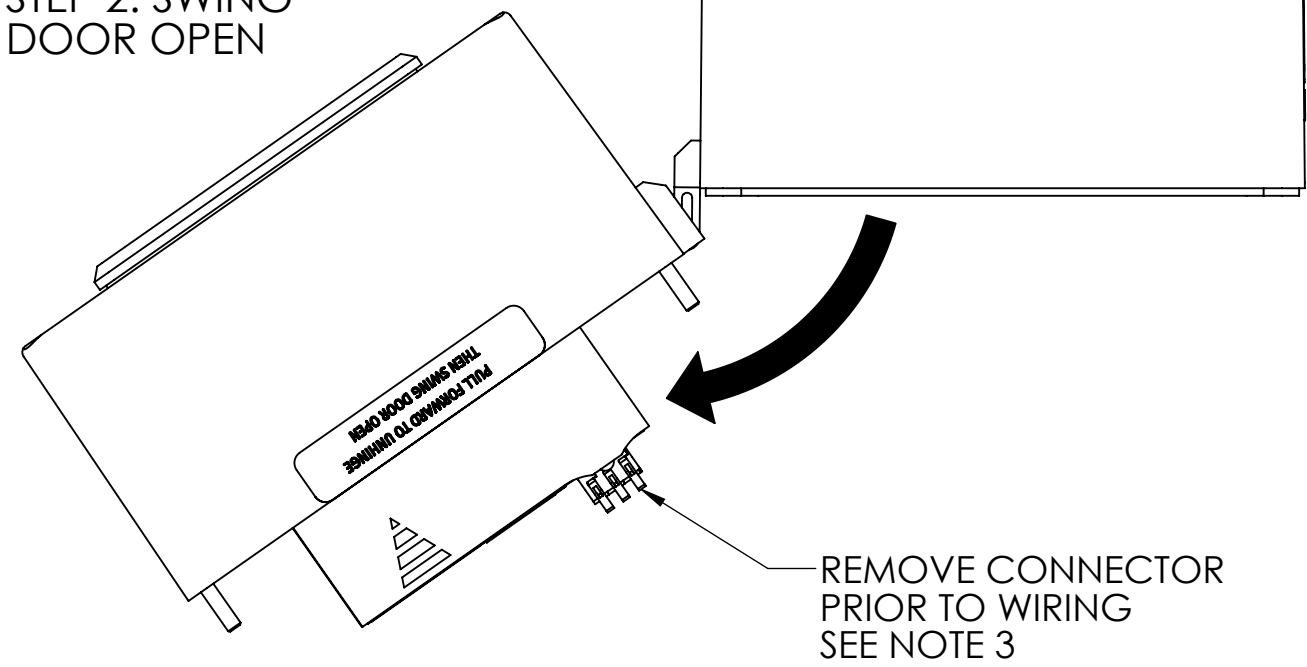
REVISIONS					
REV	ECO	DESCRIPTIONS	DWN	CKD	APVD
A	~	RELEASED TO ECO CONTROL	RDT 6/29/2012	JC 8/8/12	JC 8/8/12

TOP VIEW

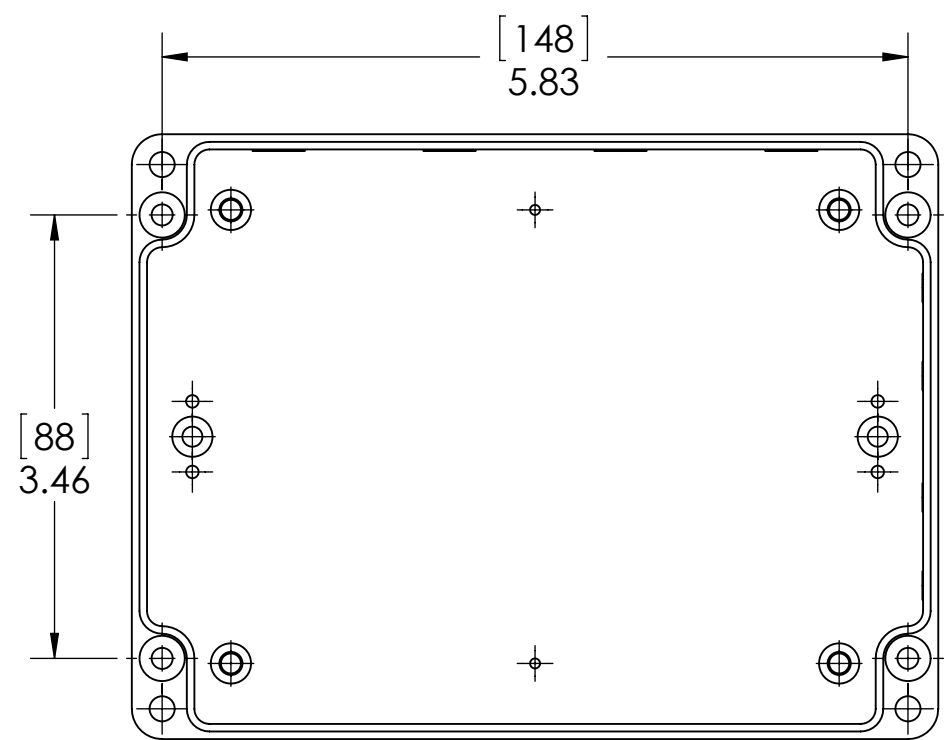
STEP 1: PULL FORWARD TO UNHINGE



STEP 2: SWING DOOR OPEN



MOUNTING HOLE PATTERN

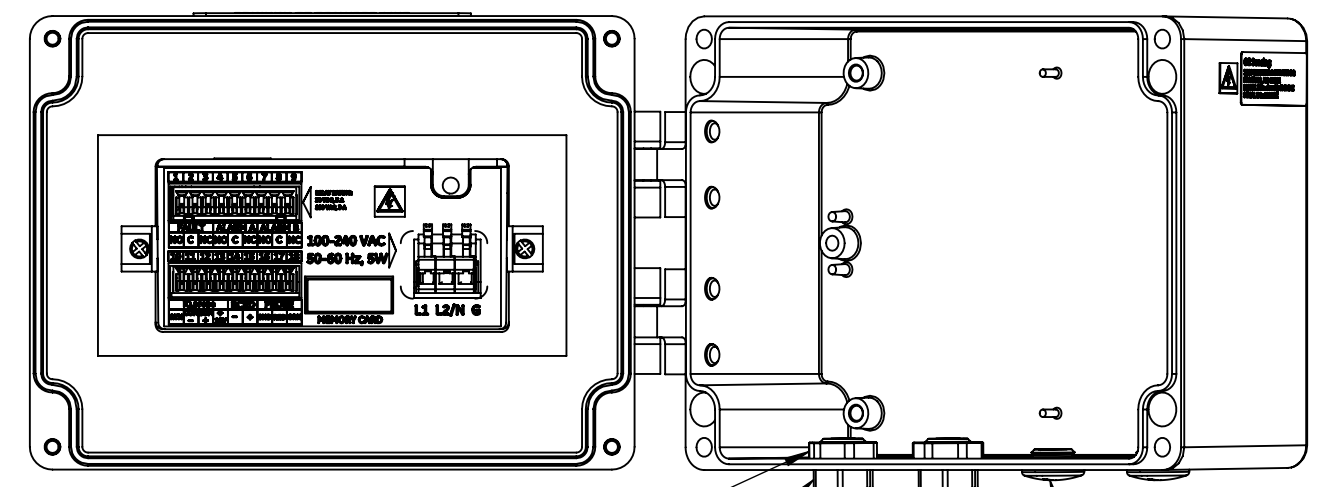
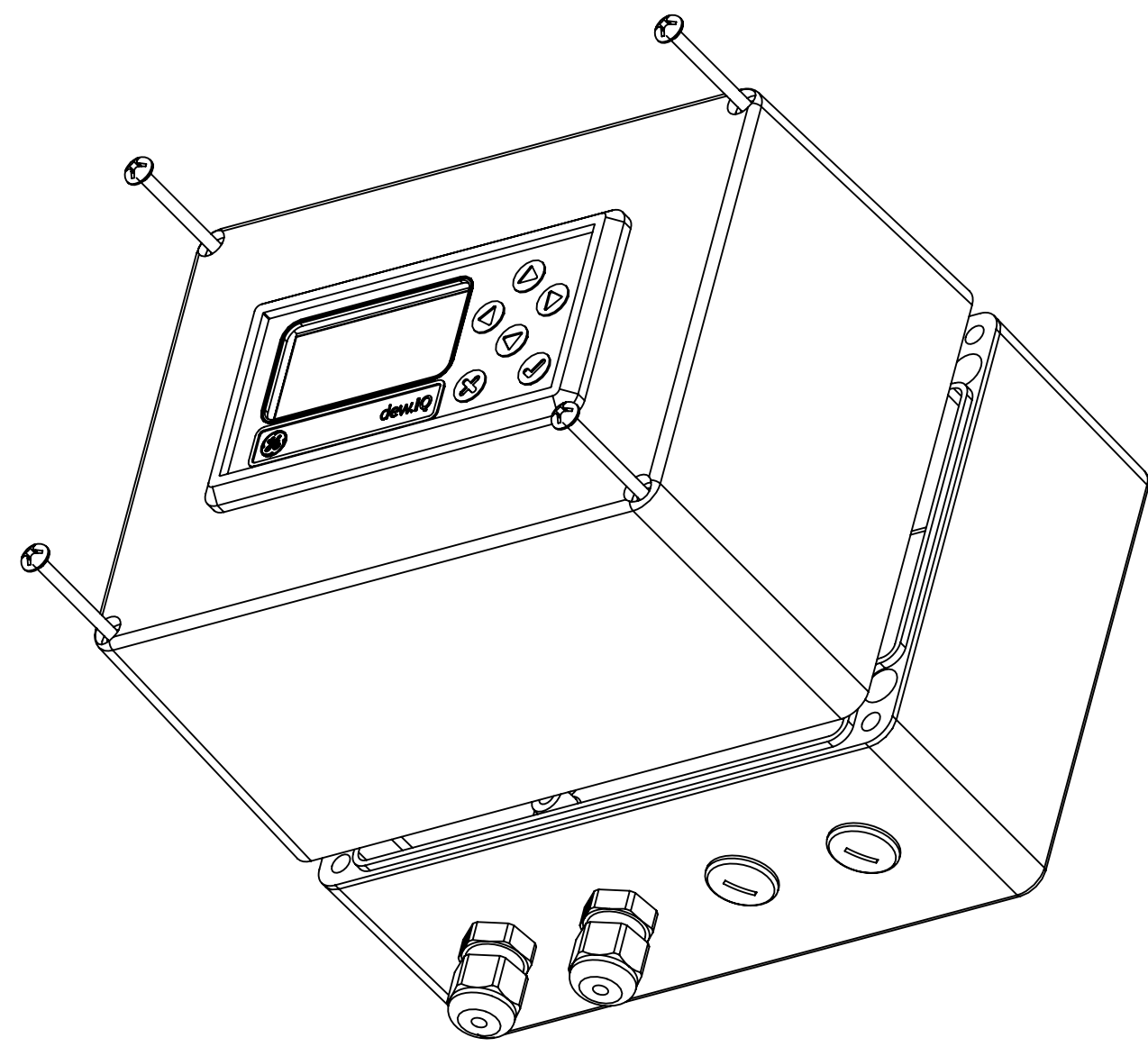


NOTES:

1. ALL DIMENSIONS ARE IN [MILLIMETERS] INCHES
2. RECOMMENDED MOUNTING HARDWARE:
  - SELF-DRILLING DRYWALL ANCHORS 4x
  - #8 x 1-1/2" MACHINE SCREWS 4x
3. REMOVE TERMINAL BLOCK CONNECTOR PRIOR TO WIRING. 18 AWG 3 CONDUCTOR POWER CORD REQUIRED.

UNLESS OTHERWISE SPECIFIED DIMENSIONS ARE IN INCHES. TOLERANCES ARE FRACTIONS DECIMALS ANGLES ± 1/32" .XX ± .01 ± 1° .XXX ± .005 SURFACE FINISH 125 ✓		<p>THIRD ANGLE PROJECTION</p>		<b>GE Industrial Sensing</b> 1100 Technology Park Dr. Billerica, MA 01821 USA	
<p>© COPYRIGHT 1997 GENERAL ELECTRIC CO.</p>		DRAWN 6/29/2012 APP'D 8/8/12 RDT JC		TITLE <b>DEW.IQ WALL MOUNT OUTLINE &amp; INSTALLATION</b>	
CHECKED 8/8/12 SALES N/A JC N/A		QC N/A N/A		SIZE <b>B</b>	DRAWING NUMBER <b>712-1823</b>
PROPRIETARY INFORMATION - THIS DRAWING CONTAINS PROPRIETARY INFORMATION OF GENERAL ELECTRIC CO. AND MAY NOT BE VIEWED OR DISCLOSED TO OTHERS, EXCEPT WITH THE WRITTEN PERMISSION OF GENERAL ELECTRIC CO.		CERT N/A RN 7515	QC N/A GENERATED USING SOLIDWORKS	REV <b>A</b>	SHEET 1 OF 3
MODEL NO. <b>DEW.IQ</b>		SCALE 1:4	DO NOT SCALE DWG		

REVISIONS					
REV	ECO	DESCRIPTIONS	DWN	CKD	APVD
A	~	RELEASED TO ECO CONTROL	RDT 6/29/2012	JC 8/8/12	JC 8/8/12



CABLE GLAND NUT  
SEE NOTE 4

CABLE GLAND BODY  
SEE NOTE 4

CABLE GLAND BUSHING  
SEE NOTE 7

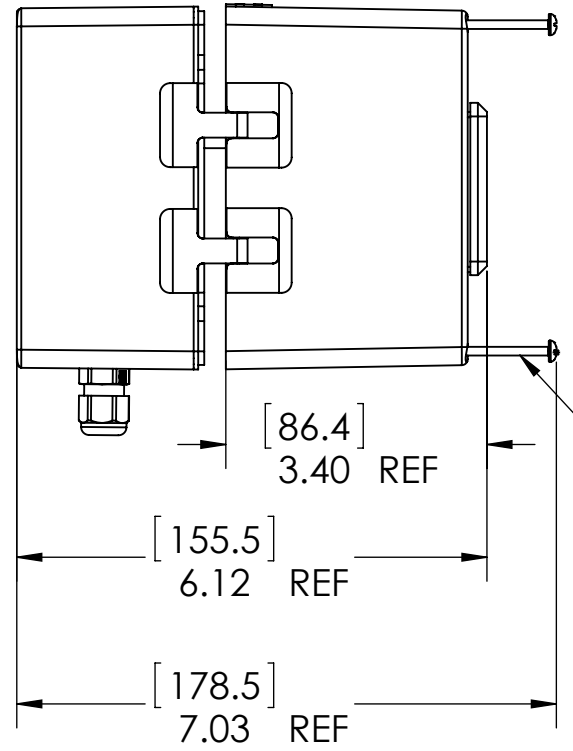
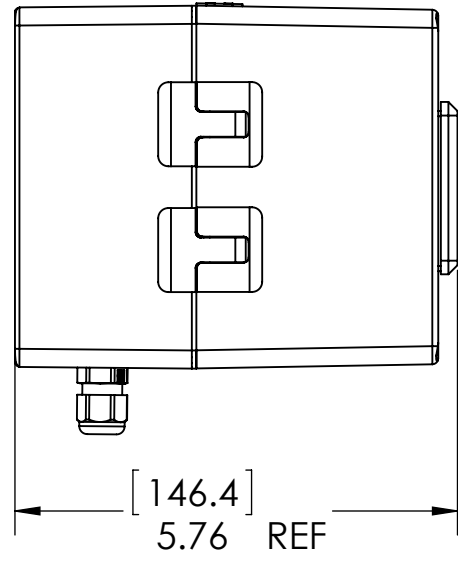
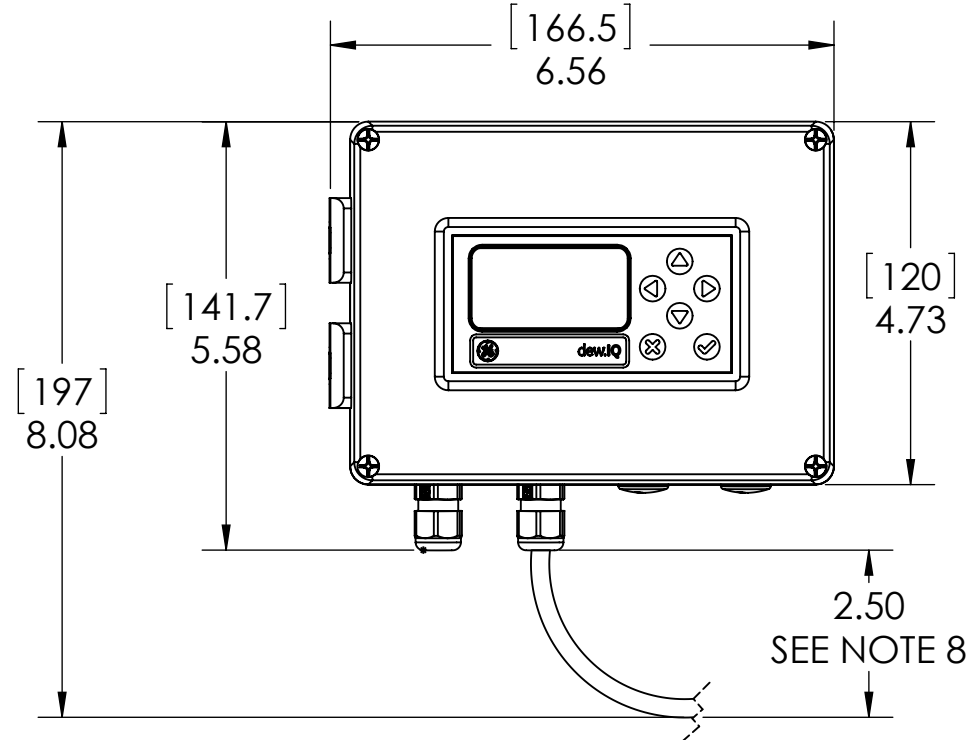
PLUG  
SEE NOTE 5

NOTES (CONT.):

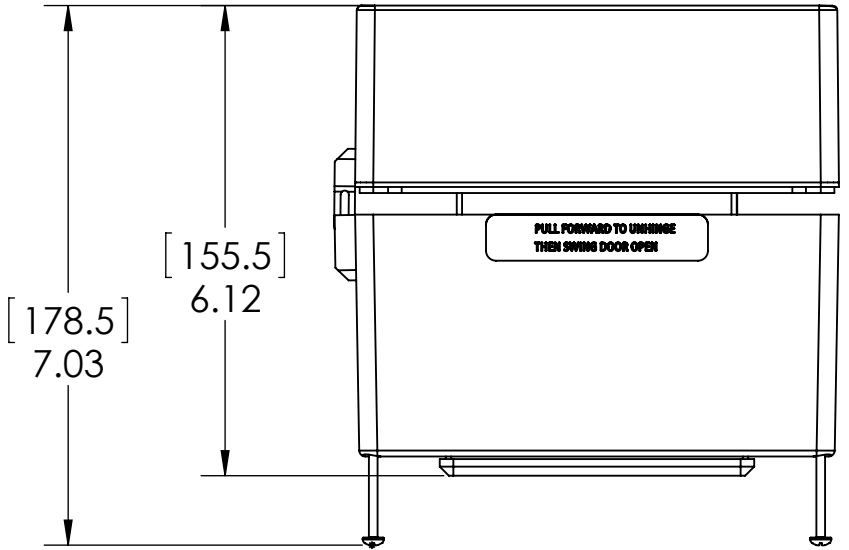
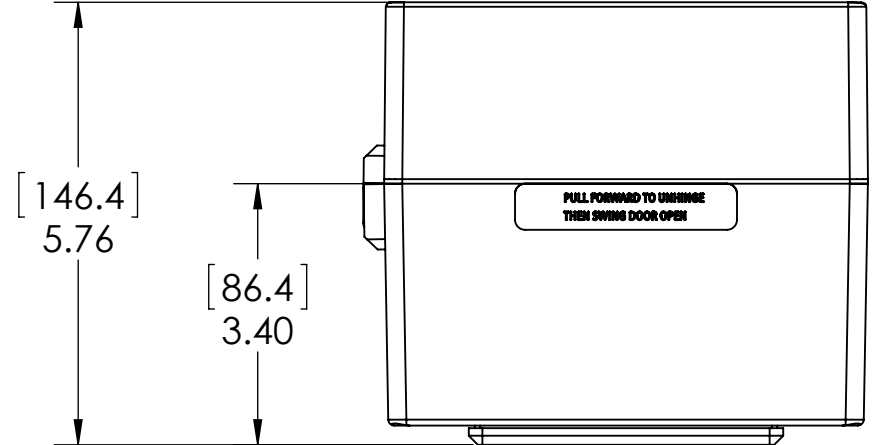
4. THREAD CABLE GLAND BODY INTO ENCLOSURE. TIGHTEN ALL CABLE GLAND BODIES TO 11 in-lbs +/- 1 in-lb TO ENSURE PROPER O-RING COMPRESSION. HAND-TIGHTEN CABLE GLAND NUT ON INSIDE OF ENCLOSURE.
5. PLUG ALL UNUSED PORTS. TIGHTEN PLUGS TO 11 in-lbs +/- 1 in-lb TO ENSURE PROPER O-RING COMPRESSION.

UNLESS OTHERWISE SPECIFIED DIMENSIONS ARE IN INCHES. TOLERANCES ARE				<b>GE Industrial Sensing</b> 1100 Technology Park Dr. Billerica, MA 01821 USA	
FRACTIONS ± 1/32"	DECIMALS .XX ± .01 .XXX ± .005	ANGLES ± 1° 125° ✓		TITLE <b>DEW.IQ WALL MOUNT OUTLINE &amp; INSTALLATION</b>	
© COPYRIGHT 1997 GENERAL ELECTRIC CO.		DRAWN 6/29/2012 RDT	APP'D 8/8/12 JC	CHECKED 8/8/12 JC	SALES N/A QC N/A
PROPRIETARY INFORMATION- THIS DRAWING CONTAINS PROPRIETARY INFORMATION OF GENERAL ELECTRIC CO. AND MAY NOT BE VIEWED OR DISCLOSED TO OTHERS, EXCEPT WITH THE WRITTEN PERMISSION OF GENERAL ELECTRIC CO.		CERT N/A RN 7515	QC N/A GENERATED USING SOLIDWORKS	SIZE <b>B</b>	DRAWING NUMBER <b>712-1823</b>
MODEL NO. <b>DEW.IQ</b>		SCALE 1:4	DO NOT SCALE DWG	REV <b>A</b> SHEET 2 OF 3	

REVISIONS					
REV	ECO	DESCRIPTIONS	DWN	CKD	APVD
A	~	RELEASED TO ECO CONTROL	RDT 6/29/2012	JC 8/8/12	JC 8/8/12



SCREWS 4x  
SEE NOTE 9



NOTES (CONT.)

- 6. A SERVICE LOOP LENGTH OF 10-12" OF CABLE SHOULD BE LEFT INSIDE THE ENCLOSURE ON ALL CABLE CONNECTIONS TO AVOID PULL DAMAGE UPON OPENING. ALL CONNECTIONS (EXCEPT POWER) TO BE UNSHIELDED, JACKETED, TWISTED PAIR.
- 7. FEED CABLE (Ø 0.138 - 0.276 CLAMPING RANGE) THROUGH GLAND AND TIGHTEN OUTER BUSHING TO 7 in-lbs +/- 1 in-lb TO ENSURE PROPER WEATHERPROOF SEAL.
- 8. USE MINIMUM BEND RADIUS OF 2.50" FOR ALL CABLE CONNECTIONS.
- 9. TIGHTEN ALL SCREWS TO 10 in-lbs +/- 0.5 in-lbs TO ENSURE PROPER WEATHERPROOF SEAL.
- 10. WEIGHT: 1.87 lb. (0.850 kg)

UNLESS OTHERWISE SPECIFIED DIMENSIONS ARE IN INCHES. TOLERANCES ARE FRACTIONS DECIMALS ANGLES ± 1/32" .XX ± .01 ± 1° .XXX ± .005 SURFACE FINISH 125 ✓		 THIRD ANGLE PROJECTION		<b>GE Industrial Sensing</b> 1100 Technology Park Dr. Billerica, MA 01821 USA	
 © COPYRIGHT 1997 GENERAL ELECTRIC CO.		DRAWN 6/29/2012 APP'D 8/8/12 RDT JC		TITLE <b>DEW.IQ WALL MOUNT          OUTLINE &amp; INSTALLATION</b>	
CHECKED 8/8/12 SALES N/A JC N/A		CERT N/A QC N/A RN 7515 GENERATED USING SOLIDWORKS		SIZE <b>B</b>	DRAWING NUMBER <b>712-1823</b>
PROPRIETARY INFORMATION - THIS DRAWING CONTAINS PROPRIETARY INFORMATION OF GENERAL ELECTRIC CO. AND MAY NOT BE VIEWED OR DISCLOSED TO OTHERS, EXCEPT WITH THE WRITTEN PERMISSION OF GENERAL ELECTRIC CO.		MODEL NO. <b>DEW.IQ</b>		SCALE 1:4	DO NOT SCALE DWG
				REV <b>A</b>	SHEET 3 OF 3