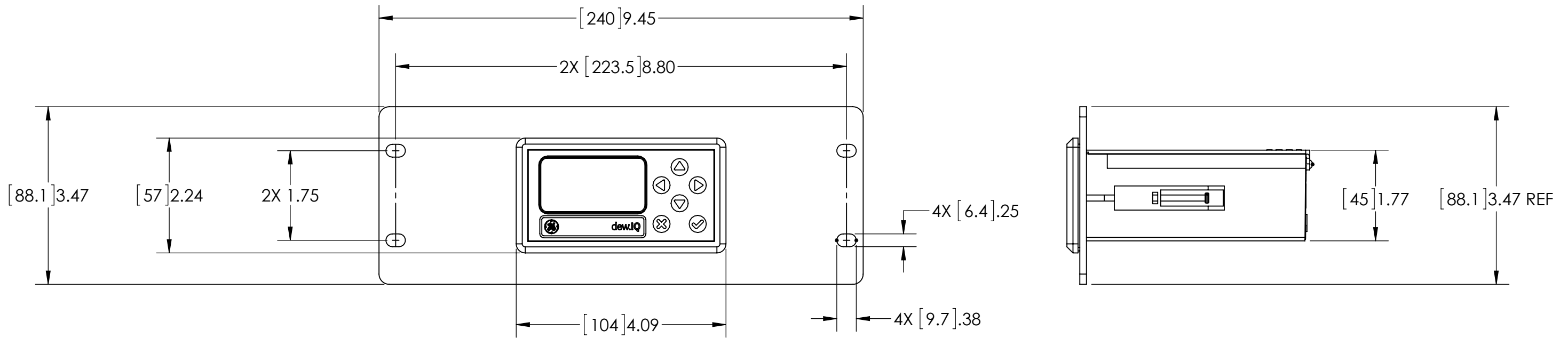
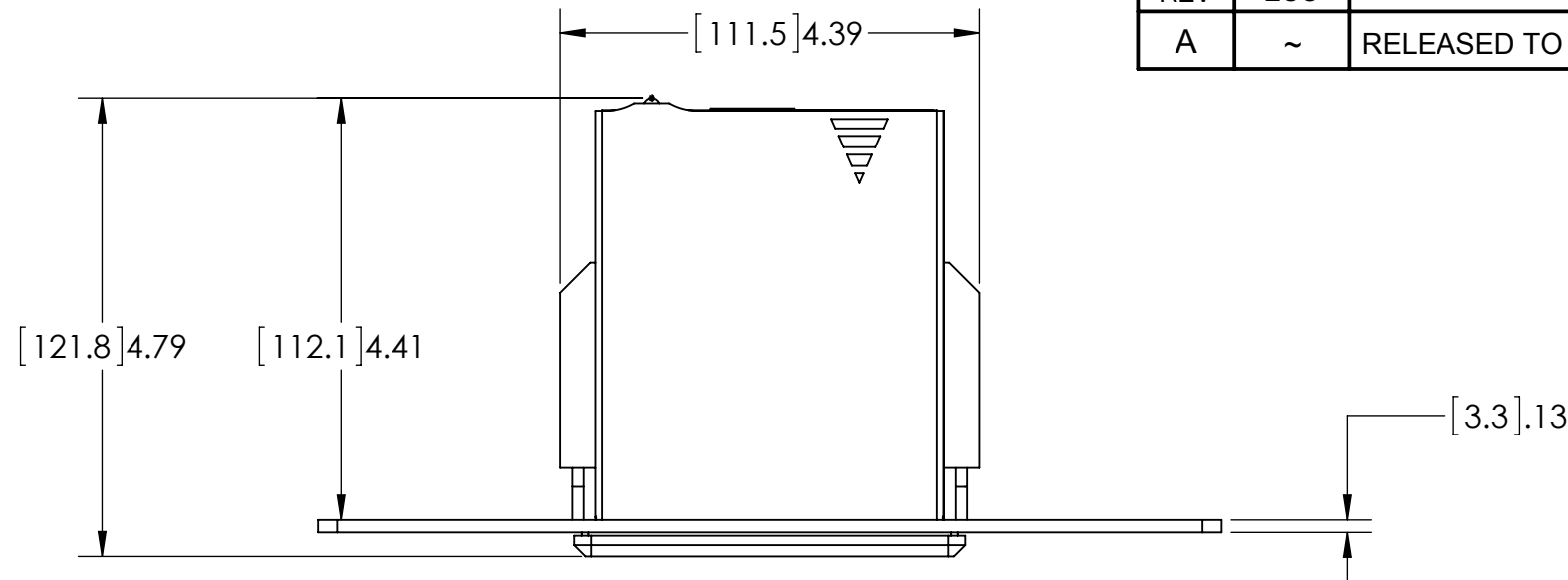


REVISIONS					
REV	ECO	DESCRIPTIONS	DWN	CKD	APVD
A	~	RELEASED TO ECO CONTROL	RDT 6/29/2012	JC 6/29/12	JC 8/8/12



NOTES:  
 1. ALL DIMENSIONS ARE IN [MILLIMETERS] INCHES  
 2. WEIGHT = 0.94 lb. (0.425 kg)

UNLESS OTHERWISE SPECIFIED  
 DIMENSIONS ARE IN INCHES.  
 TOLERANCES ARE  
 FRACTIONS DECIMALS ANGLES  
 $\pm 1/32"$  .XX  $\pm .01$   $\pm 1^\circ$   
 .XXX  $\pm .005$   
 SURFACE FINISH 125 ✓

© COPYRIGHT 1997 GENERAL ELECTRIC CO.

PROPRIETARY INFORMATION- THIS DRAWING CONTAINS PROPRIETARY INFORMATION OF GENERAL ELECTRIC CO. AND MAY NOT BE VIEWED OR DISCLOSED TO OTHERS, EXCEPT WITH THE WRITTEN PERMISSION OF GENERAL ELECTRIC CO.

		<b>THIRD ANGLE PROJECTION</b>	
DRAWN	6/29/2012	APP'D	8/8/12
RDT		JC	
CHECKED	6/29/12	SALES	N/A
JC		N/A	
CERT	N/A	QC	N/A
N/A		N/A	
RN	7515	GENERATED USING SOLIDWORKS	
MODEL NO.		DEW.IQ	

<b>GE Industrial Sensing</b> 1100 Technology Park Dr. Billerica, MA 01821 USA		
TITLE <b>DEW.IQ RACK MOUNT          OUTLINE AND INSTALLATION</b>		
SIZE	DRAWING NUMBER	REV
<b>B</b>	712-1824	<b>A</b>
SCALE	DO NOT SCALE DWG	SHEET 1 OF 1
1:4		