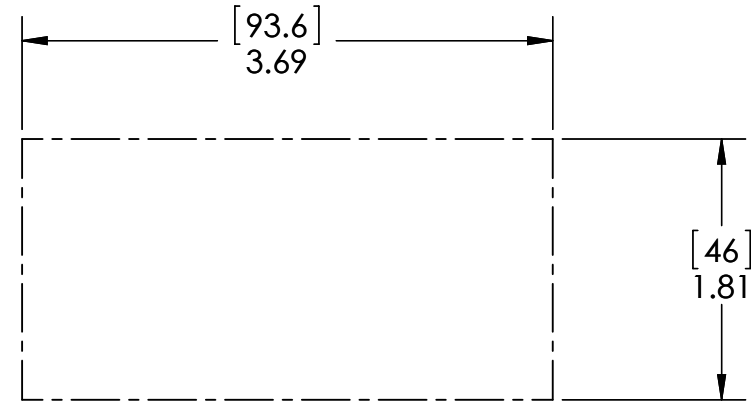
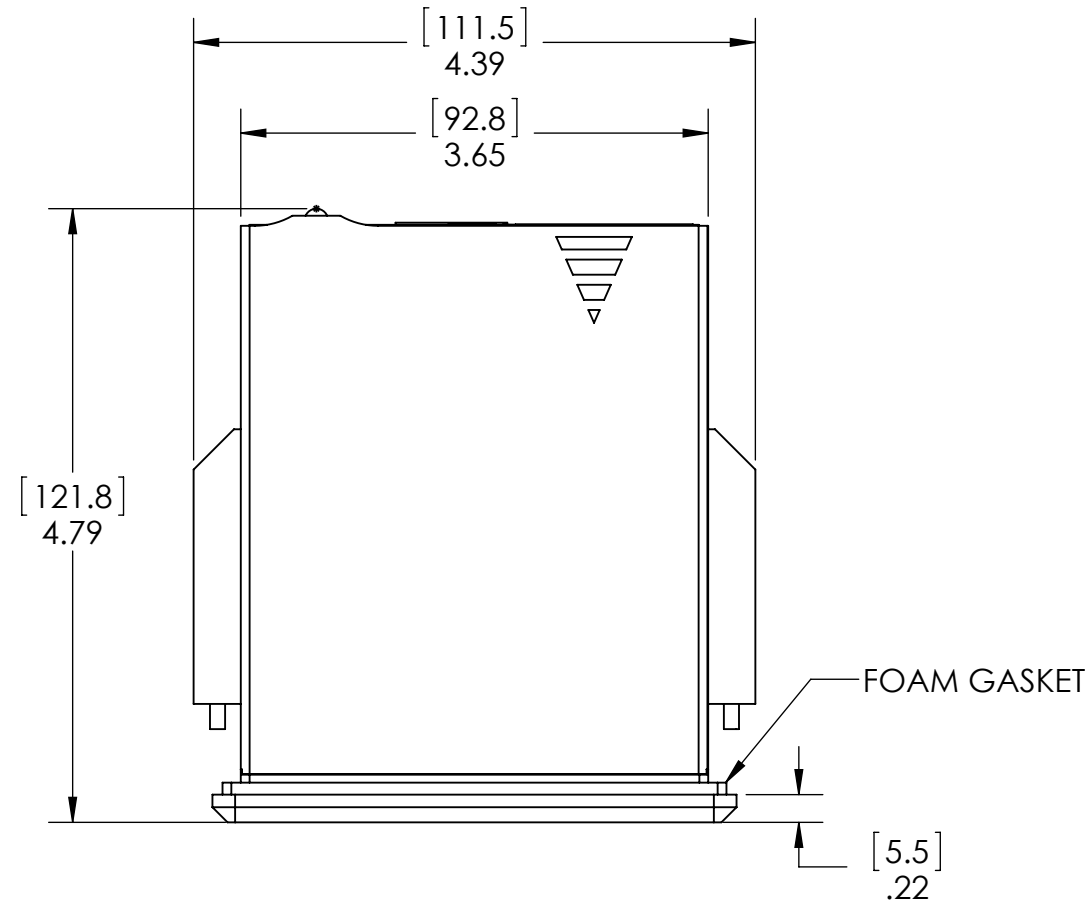
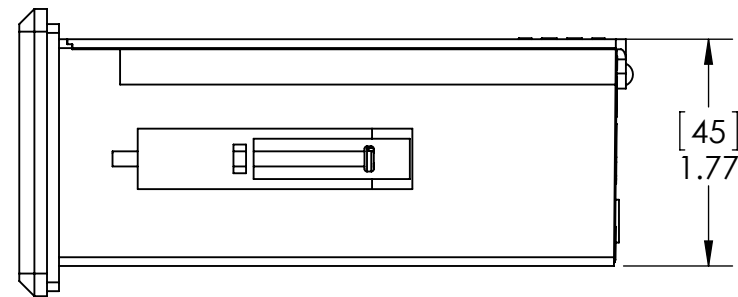
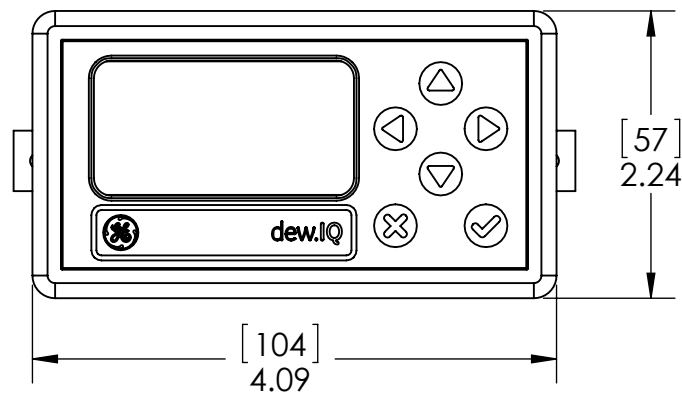


REVISIONS					
REV	ECO	DESCRIPTIONS	DWN	CKD	APVD
A	~	RELEASED TO ECO CONTROL	RDT 6/29/2012	JC 6/29/12	JC 8/8/12



PANEL CUTOUT



- NOTES:
- DIMENSIONS ARE IN [MILLIMETERS] INCHES
 - WEIGHT = 0.55 lb (0.25kg)

UNLESS OTHERWISE SPECIFIED DIMENSIONS ARE IN INCHES. TOLERANCES ARE FRACTIONS DECIMALS ANGLES $\pm 1/32"$.XX $\pm .01$ $\pm 1^\circ$.XXX $\pm .005$ SURFACE FINISH 125 ✓			GE Industrial Sensing 1100 Technology Park Dr. Billerica, MA 01821 USA		
	THIRD ANGLE PROJECTION		TITLE DEW.IQ PANEL MOUNT OUTLINE AND INSTALLATION		
© COPYRIGHT 1997 GENERAL ELECTRIC CO.	DRAWN 6/29/2012 RDT	APP'D 8/8/12 JC	SIZE B		
	CHECKED 6/29/12 JC	SALES N/A	QC N/A	DRAWING NUMBER 712-1825	
PROPRIETARY INFORMATION- THIS DRAWING CONTAINS PROPRIETARY INFORMATION OF GENERAL ELECTRIC CO. AND MAY NOT BE VIEWED OR DISCLOSED TO OTHERS, EXCEPT WITH THE WRITTEN PERMISSION OF GENERAL ELECTRIC CO.	CERT N/A	QC N/A	REV A		
	RN 7515	GENERATED USING SOLIDWORKS		SCALE 1:2 DO NOT SCALE DWG SHEET 1 OF 1	
MODEL NO. DEW.IQ					