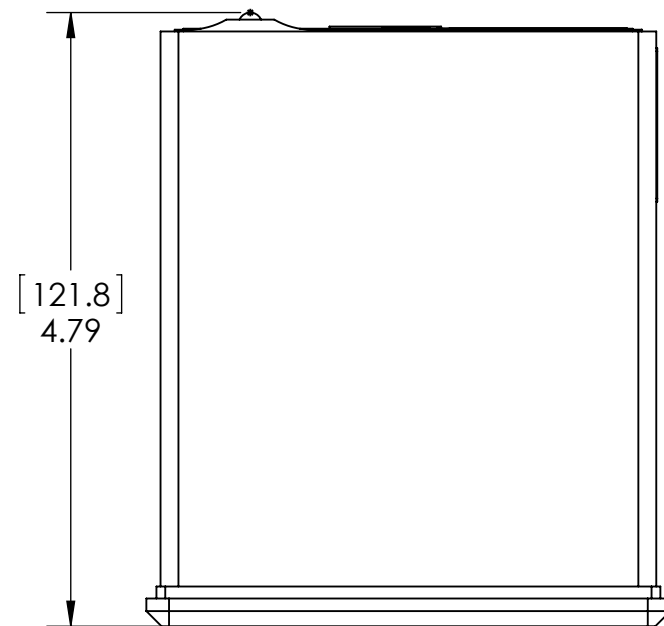
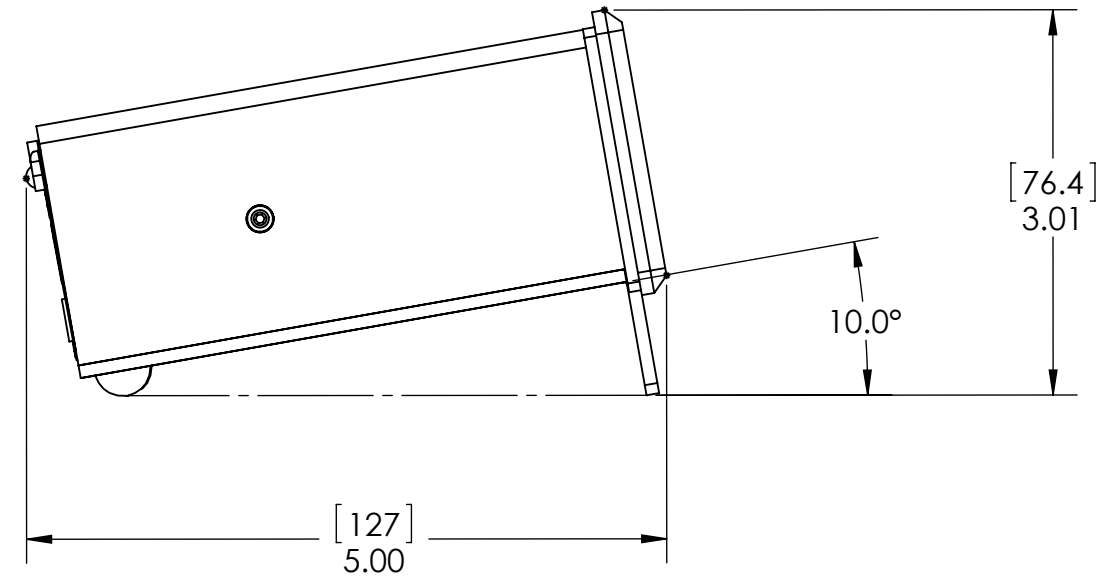
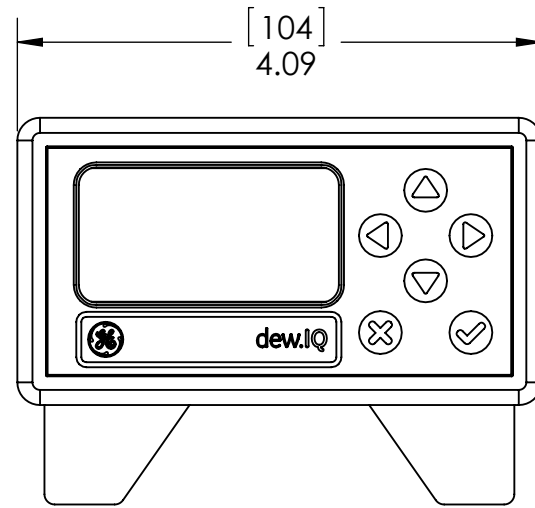
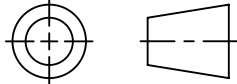



REVISIONS					
REV	ECO	DESCRIPTIONS	DWN	CKD	APVD
A	~	RELEASED TO ECO CONTROL	RDT 7/31/2012	JC 7/31/12	JC 8/8/12



- NOTES:
- ALL DIMENSIONS ARE IN [MILLIMETERS] INCHES
 - WEIGHT: 1.01 lb. (0.459 kg)

UNLESS OTHERWISE SPECIFIED DIMENSIONS ARE IN INCHES. TOLERANCES ARE FRACTIONS DECIMALS ANGLES ± 1/32" .XX ± .01 ± 1° .XXX ± .005 SURFACE FINISH 125 ✓		 THIRD ANGLE PROJECTION		GE Industrial Sensing 1100 Technology Park Dr. Billerica, MA 01821 USA	
 © COPYRIGHT 1997 GENERAL ELECTRIC CO.		DRAWN 7/31/2012 APP'D 8/8/12 RDT JC		TITLE DEW.IQ, BENCH TOP, OUTLINE & INSTALL., REF DWG.	
PROPRIETARY INFORMATION- THIS DRAWING CONTAINS PROPRIETARY INFORMATION OF GENERAL ELECTRIC CO. AND MAY NOT BE VIEWED OR DISCLOSED TO OTHERS, EXCEPT WITH THE WRITTEN PERMISSION OF GENERAL ELECTRIC CO.		CHECKED 7/31/12 SALES N/A JC N/A		SIZE B	DRAWING NUMBER 712-1826
		CERT N/A QC N/A RN 7515 GENERATED USING SOLIDWORKS		REV A	
		MODEL NO. DEW.IQ		SCALE 1:2	DO NOT SCALE DWG
				SHEET 1 OF 1	