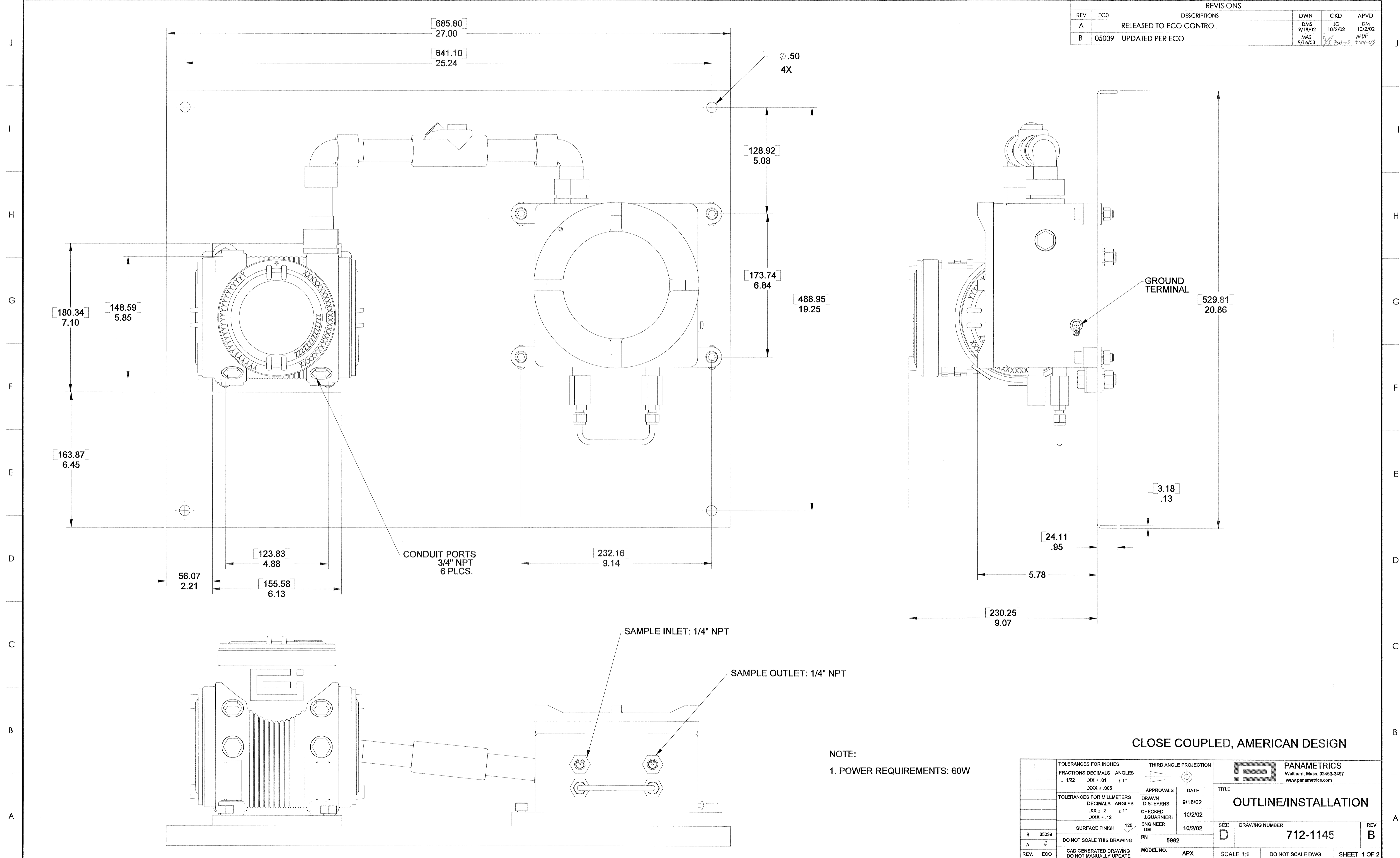


16 15 14 13 12 11 10 9 8 7 6 5 4 3 2 1

REVISIONS					
REV	ECO	DESCRIPTIONS	DWN	CKD	APVD
A	-	RELEASED TO ECO CONTROL	DMS 9/18/02	JG 10/2/02	DM 10/2/02
B	05039	UPDATED PER ECO	MAS 9/16/03	AMDF 9-23-03	7-24-03



NOTE:  
1. POWER REQUIREMENTS: 60W

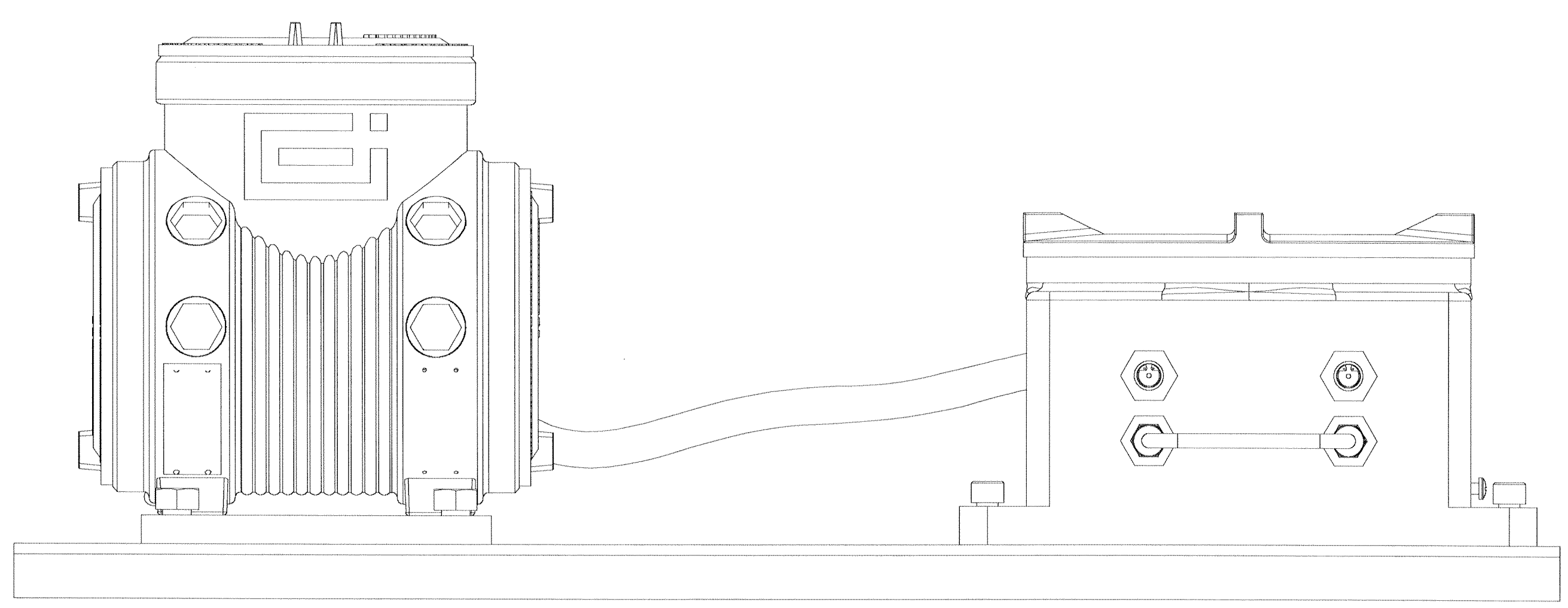
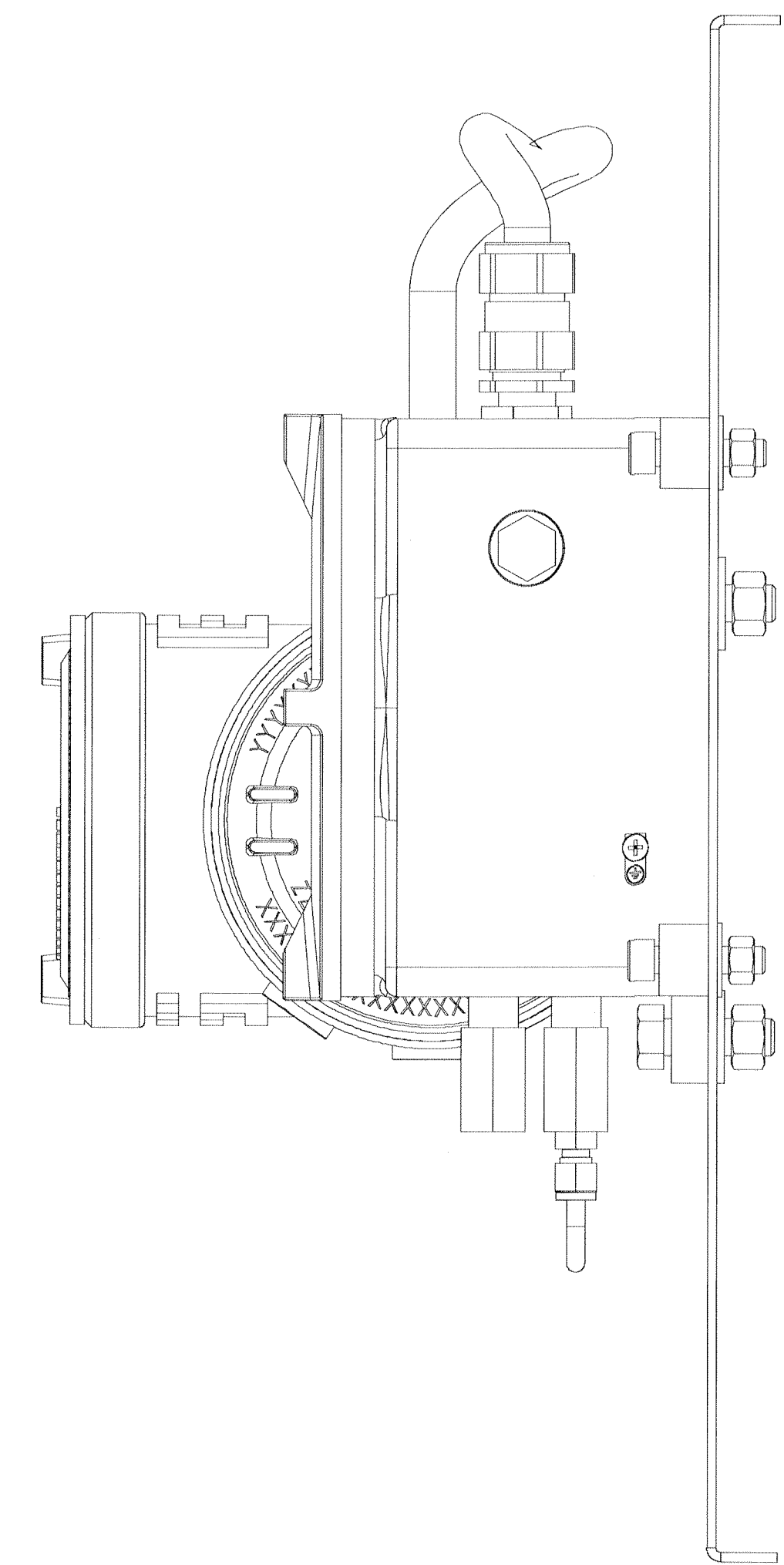
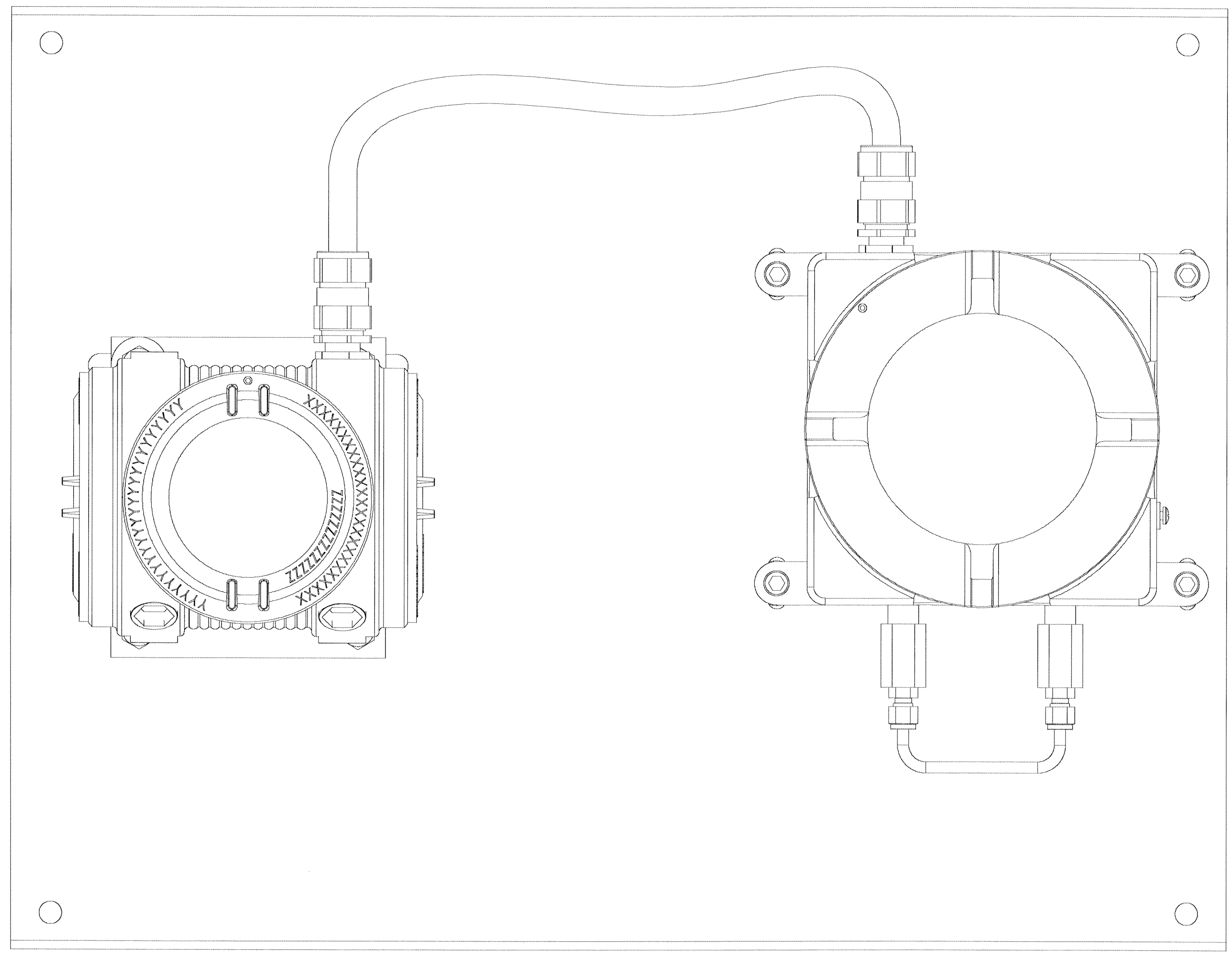
CLOSE COUPLED, AMERICAN DESIGN

TOLERANCES FOR INCHES FRACTIONS DECIMALS ANGLES ± 1/32 .XX ± .01 ± 1° .XXX ± .005		THIRD ANGLE PROJECTION		PANAMETRICS Walham, Mass. 02453-3497 www.panametrics.com	
TOLERANCES FOR MILLIMETERS DECIMALS ANGLES .XX ± .2 ± 1° .XXX ± .12		APPROVALS	DATE	TITLE	
SURFACE FINISH 125 ✓		DRAWN D STEARNS	9/18/02	OUTLINE/INSTALLATION	
DO NOT SCALE THIS DRAWING		CHECKED J GUARNIERI	10/2/02	SIZE D	DRAWING NUMBER 712-1145
CAD GENERATED DRAWING DO NOT MANUALLY UPDATE		ENGINEER DM	10/2/02	REV B	
REV. ECO	MODEL NO. APX	RN 5982	SCALE 1:1	DO NOT SCALE DWG	SHEET 1 OF 2

16 15 14 13 12 11 10 9 8 7 6 5 4 3 2 1

REVISIONS					
REV	ECO	DESCRIPTIONS	DWN	CKD	APVD
A	-	RELEASED TO ECO CONTROL	DMS 10/2/02	JG 10/2/02	DM 10/2/02
B	05039	UPDATED PER ECO	MAS 9/16/03	<i>[Signature]</i> 9/23/03	MDF 9/24/03

J  
I  
H  
G  
F  
E  
D  
C  
B  
A



CLOSED COUPLED, EUROPEAN DESIGN

NOTE:  
1. ALL DIMENSIONS ARE SHOWN ON PAGE 1

TOLERANCES FOR INCHES FRACTIONS DECIMALS ANGLES ± 1/32 .XX ± .01 ± 1° XXX ± .005		THIRD ANGLE PROJECTION 		PANAMETRICS Walham, Mass. 02453-3497 www.panametrics.com	
TOLERANCES FOR MILLIMETERS DECIMALS ANGLES XX ± .2 ± 1° XXX ± .12		APPROVALS	DATE	TITLE	
SURFACE FINISH 125		DRAWN D STEARNS	9/18/02	OUTLINE/INSTALLATION	
DO NOT SCALE THIS DRAWING		CHECKED J GUARNIERI	10/2/02	SIZE	DRAWING NUMBER
DO NOT MANUALLY UPDATE		ENGINEER DM	10/2/02	D	712-1145
B	05039	MODEL NO.	5982	SCALE 1:2	DO NOT SCALE DWG
A	#	APX		SHEET 2 OF 2	
REV.	ECO				