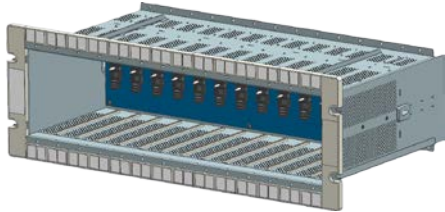


3500/07E System Rack

Bently Nevada* Asset Condition Monitoring



Description

The 3500 ENCORE System rack design holds all 3500 ENCORE monitor modules and rack power supplies. It allows the various 3500 ENCORE modules to communicate with one another and the power supplies to distribute power to each module as required.

3500 ENCORE Racks are available in four sizes:

1. **14 Position with 12 monitors**
2. **12 Position with 10 monitors**
3. **10 Position with 8 monitors**
4. **8 Position with 6 monitors**

3500 racks are available in two formats:

1. **Panel mount** – This rack format mounts to rectangular cut-outs in panels, and secures to the panel using clamps supplied with the rack. Wiring connections and I/O modules are accessible from the rear of the rack.
2. **Rack mount** – This rack format mounts the 8 position 3500 ENCORE System rack on 19-inch EIA rails. Wiring connections and I/O modules are accessible from the rear of the rack.

The Power Supplies and Rack Interface Module must occupy the far left rack positions. The remaining rack positions are available for any combination of modules.



Specifications

Hazardous Area Approvals

CSA/C/US

Refer to the data sheet of the applicable monitor being inserted into the rack.

Compliance and Certifications

EMC

European Community Directives:
EMC Directive 2004/108/EC

Standards:

EN 61326-1:2006
Emissions and Immunity
EN 61000-6-2 (2005) +C1
EN 61000-3-2 (2006) +A1, +A2
EN 61000-3-3 (2008)
EN 61000-6-4 (2007) +A1

Electrical Safety

Standards:
EN 61010-1: 2010

European Community Directive:
2006/95/EC Low Voltage

For further certification and approvals information please visit the following website:

www.ge-mcs.com/bently

Ordering Considerations

3500 ENCORE racks are available in four sizes: 8, 10, 12, and 14 position. Each rack size is four inches wider than the previous size and designed to fit into a 3300 rack space.

Ordering Information

Rack Ordering Information

3500/07E-AA-BB

AA: Rack Size

08	8 Position
10	10 Position
12	12 Position
14	14 Position

BB: Agency Approval Option

00	None
01	CSA/NRTL/C (Class 1 Div. 2)

Spares

Part Number

Description

Power Supply Blank Cover Kit

Order the following

100M4134-01

Power Supply Blank Front Panel (Qty 1)

100M3132-01

I/O Module Blank Rear Panel

Full-height Blank Monitor Cover Kit

286382

Full-height Monitor Blank Front Panel (Qty 1)

100M6069-01

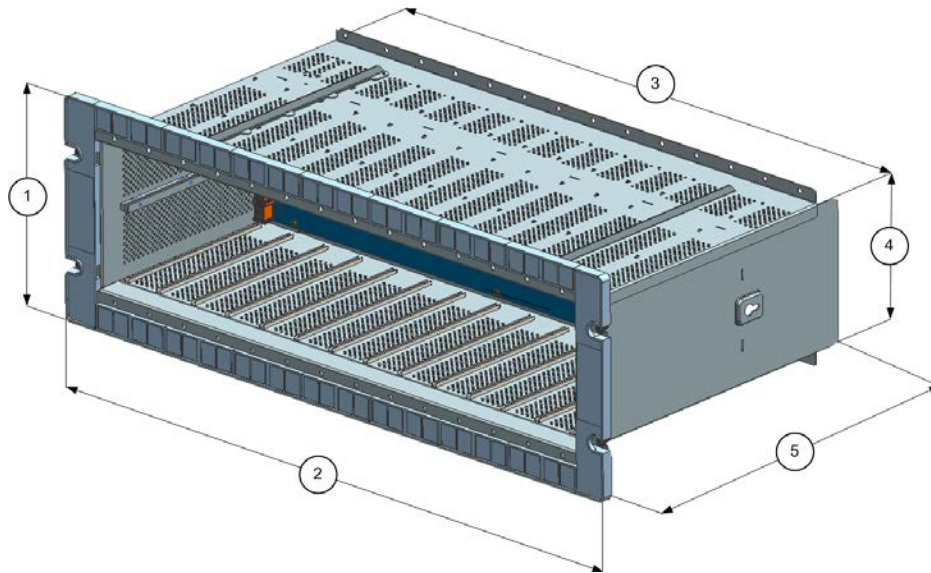
I/O Module Cover (Qty 1)

Misc Components

100M3415-01

Rack Installation and Maintenance Manual

Figures and Tables



Each 3500 ENCORE system chassis is sized to fit into the original 3300 opening.

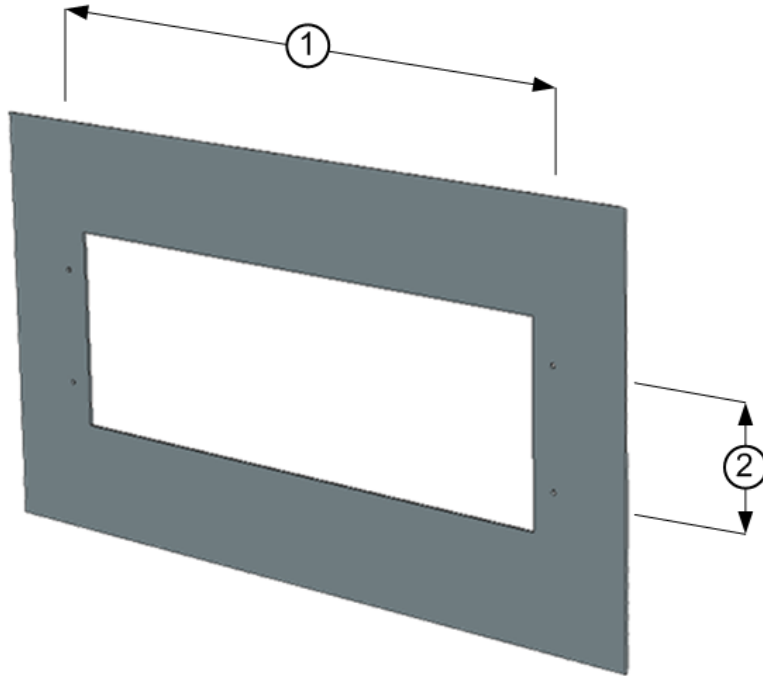
Rack Size	Dimension				
	1	2	3	4	5
14 Position	268.29 mm (10.5625 in)	793.75 mm (31.25 in)	714.38 mm (28.125 in)	209.55 mm (8.25 in)	419.10 mm (16.5 in)
12 Position	268.29 mm (10.5625 in)	692.15 mm (27.25 in)	612.78 mm (24.125 in)	209.55 mm (8.25 in)	419.10 mm (16.5 in)
10 Position	268.29 mm (10.5625 in)	590.55 mm (23.25 in)	511.18 mm (20.125 in)	209.55 mm (8.25 in)	419.10 mm (16.5 in)
8 Position	268.29 mm (10.5625 in)	488.95 mm (19.25 in)	409.58 mm (16.125 in)	209.55 mm (8.25 in)	419.10 mm (16.5 in)

3500 ENCORE System dimensions



Rack Size	Dimension		
	1	2	3
14 Position	723.9 mm (28.5 in)	3.18 mm radius, maximum (0.125 in)	234.95 mm (9.25 in)
12 Position	622.3 mm (24.5 in)	3.18 mm radius, maximum (0.125 in)	234.95 mm (9.25 in)
10 Position	520.7 mm (20.5 in)	3.18 mm radius, maximum (0.125 in)	234.95 mm (9.25 in)
8 Position	419.1 mm (16.5 in)	3.18 mm radius, maximum (0.125 in)	234.95 mm (9.25 in)

3500 ENCORE Rack Recommended Panel Cutout



Note: All measurements are from center to center. The hole pattern should be centered between the upper, lower, and side edges of the panel cutout.

Rack Size	Dimension	
	1	2
14 Position	768.35 - 774.7 mm (30.25 - 30.50 in)	133.35 mm (5.25 in)
12 Position	666.75 - 673.1 mm (26.25 - 26.50 in)	133.35 mm (5.25 in)
10 Position	565.15 - 571.50 mm (22.25 - 22.50 in)	133.35 mm (5.25 in)
8 Position	463.55- 469.90 mm (18.25 - 18.50 in)	133.35 mm (5.25 in)

Screw Mounting Dimensions for 3500 ENCORE Rack

Weight

The following table lists the approximate weight for each chassis with the backplane, bezels, and side clamps installed (monitors not installed).

Rack Size	Weight
8 Position	9.07 kg (20 lbs)
10 Position	10.43 kg (23 lbs)
12 Position	11.79 kg (26 lbs)
14 Position	13.15 kg (29 lbs)

Rack Weight

The following table lists the weight of each component in a chassis:

Component	Weight
/10E Power Supply	1.81 kg (4 lb)
/23E Transient Data Interface	1.45 kg (3.2 lb)
/23E I/O Module	0.70 kg (1.55 lb)
/33E 16-Channel Relay Module	1.16 kg (2.55 lb)
/33E I/O Module	0.86 kg (1.9 lb)
/42E Vibration Monitor	1.27 kg (2.8 lb)
/42E I/O Module	0.68 kg (1.5 lb)
/45E Position Monitor	1.27 kg (2.8 lb)
/45E I/O Module	0.70 kg (1.55 lb)
/50E Tachometer Module	1.25 kg (2.75 lb)
/50E I/O Module	0.68 kg (1.5 lbs)
/61E 6-Channel Temperature Monitor	1.23 kg (2.70 lb)
/61E I/O Module	0.68 kg (1.5 lb)

Component Weight

* Denotes trademarks of Bently Nevada, Inc., a wholly owned subsidiary of General Electric Company.

© 2013 Bently Nevada, Inc. All rights reserved.

Printed in USA. Uncontrolled when transmitted electronically.

1631 Bently Parkway South, Minden, Nevada USA 89423

Phone: 775.782.3611 Fax: 775.215.2873

www.ge-mcs.com/bently