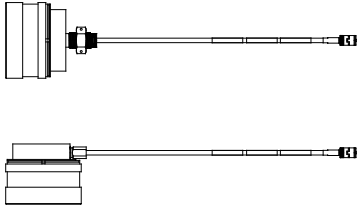


# 3300 XL 50 mm Proximity Transducer System

## Bently Nevada\* Asset Condition Monitoring

### Description

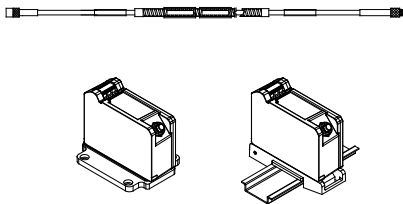
The 3300 XL 50 mm Transducer System consists of a separate 50 mm probe, an extension cable, and a 3300 XL 50 mm Proximitor\* Sensor. The large diameter coil gives this system a maximum linear range of 27.9 mm (1100 mils), the longest linear range of our eddy current transducer line. This linear range makes the 3300 XL 50mm Transducer System ideal for measuring the differential expansion (DE) or rotor expansion (RX) of large steam turbine generators that results from the difference in growth rates between the turbine rotor and the machine stator (casing).



### Measuring Differential Expansion

The Differential Expansion measurement is made by using two proximity transducers that observe a collar or ramp some distance from the thrust bearing. Typical transducer mounting arrangements that require the 3300 XL 50 mm Transducer's long linear range include:

- Two transducers observing the same side of a collar.
- Two complementary input transducers observing opposite sides of a collar, effectively doubling the measurable DE range.



The criteria for selecting a mounting method are the size of the available target, the expected amount of rotor axial movement, and the type of DE target that exists in the machine. If the collar height is sufficient and the required total measurement range is less than 27.9 mm (1.1 inches), the preferred configuration for redundant measurements is to use two transducers observing the same side of a collar. When 28 mm to 56 mm (1.1 to 2.2 inches) of total range are required, install the transducers in a complementary fashion on opposite sides of the differential expansion collar or other target material.

### System Compatibility

The 3300 XL 50 mm probe comes in three case & thread configurations to physically replace all standard 7200 50 mm systems (including side and rear exit probes). The standard 7200 style mounting brackets are still available as accessories. In addition, a new bracket to adapt the probe to the 50mm DE Integral transducer sliding mount base is also available. The Proximitor Sensor has a 0.394 V/mm (10 mV/mil) output that is identical to that of the 7200 and 50 mm DE Integral systems, which allows customers to upgrade without requiring any changes in the monitor configuration. When upgrading from previous systems, every transducer system component (probe, extension cable, and Proximitor Sensor) must be replaced with 3300 XL 50 mm components.



## Proximity Probe and Extension Cable

The 3300 XL 50 mm probe is designed to survive the harshest steam turbine DE environments. It can continually operate and maintain its accuracy in high temperatures up to 200 °C (392 °F), and can withstand intermittent high temperatures up to 250 °C (482 °F). The 50 mm probe has both a front and rear seal which, combined with the High Temperature FluidLoc\* cable (standard on all 50 mm probes), prevent moisture from entering the probe tip. Special high-temperature ClickLoc\* connectors are also standard on the probe and extension cable. Each probe and cable comes with connector protectors and a disposable connector protector installation tool to ensure that the connectors remain free of contamination. The ClickLoc connector on the probe lead features a removable collar that facilitates routing the cable through tight clearances.

The 3300 XL 50 mm probe is available in straight exit case styles with ½-20 English threads or M14x1.5 metric threads, including a locknut with predrilled safety wire holes. The side exit probe has two ¼-20 mounting holes in the rear of the probe case. For both straight exit and side exit probes the overall case diameter is 1.99 inches.

## Proximito Sensor

The 3300 XL 50 mm Proximito Sensor<sup>1</sup> has the same advanced features as all 3300 XL Proximito Sensors. Its thin design allows it to be mounted in either a high-density DIN-rail installation or a more traditional panel mount configuration. Improved RFI/EMI immunity allows the 3300 XL Proximito Sensor to achieve European CE mark approvals without any special mounting considerations. This RFI immunity prevents the transducer system from being adversely affected by nearby high frequency radio signals. SpringLoc terminal strips on the Proximito Sensor require no special installation tools and facilitate faster, highly robust field wiring connections.

### Notes:

Proximito Sensors are supplied by default from the factory calibrated to AISI 4140 steel. Calibration to other target materials is available upon request.

## Mounting Accessories

The correct operation of the transducer system must be initially verified during installation and periodically thereafter. This is done by physically moving the transducer to simulate the motion of the shaft collar. This requires a mounting bracket that allows the transducer system to slide relative to the shaft rotor and collar.

An optional Sliding Bracket can be ordered for the 3300 XL 50 mm Transducer for both single transducer and complementary input applications. This mounting bracket allows you to verify the transducer system and gap the probes by sliding the transducer system through its linear range. The base plate of the sliding bracket is installed on the inner surface of the turbine case near the differential expansion collar. Probes are installed in the probe clamp that attaches to the sliding carriage. The sliding carriage slides onto and is secured to the base plate with bolts and safety wire. To verify and install the transducer, loosen the bolts securing the sliding carriage to the base plate and move the sliding carriage and probes. A verification kit with spindle micrometer can be temporarily secured to the base plate to provide a reference for axial verification measurements. The spindle micrometer measures the movement of the transducer system relative to the collar during these verification tests.

---

## Specifications

Unless otherwise noted, the following specifications are for a 3300 XL 50 mm Proximitor Sensor, extension cable and probe between 0°C and +45°C (+32°F to +113°F), with a -24 Vdc power supply, a 10 kΩ load, a Bently Nevada supplied AISI 4140 steel target that is 102 mm (4.0 in) diameter or larger. The system accuracy and interchangeability specifications do not apply when using a transducer system calibrated to any target other than a Bently Nevada AISI 4140 steel target.

### Electrical

#### Proximitor Sensor Input

Accepts one noncontacting 3300 XL 50 mm Proximity Probe and Extension Cable.

#### Power

Requires -17.5 Vdc to -26 Vdc without barriers at 12 mA maximum consumption, -23 Vdc to -26 Vdc with barriers. Operation at a more positive voltage than -23.5 Vdc can result in reduced linear range.

#### Output resistance

50 Ω

#### Extension cable capacitance:

69.9 pF/m (21.3 pF/ft) typical

#### Field wiring:

0.2 to 1.5 mm<sup>2</sup> (16 to 24 AWG)  
Recommend using three-conductor shielded triad cable.

#### Linear Range:

27.9 mm (1100 mils). Linear range begins at approximately 1.3 mm (50 mils) from target and is from 1.3 to 29.2 mm (50 to 1150 mils) (approximately -1.5 to -12.5 Vdc).

#### Average Scale Factor (ASF)

394 mV/mm (10 mV/mil) nominal

#### Deviation from best fit straight line (DSL)

Less than ±0.74 mm (±29 mils)

#### System performance over extended temperatures:

Over a probe temperature range of -35°C to +120°C (-31°F to +248°F) with the Proximitor Sensor and extension cable between 0°C to +45°C (+32°F to +113°F), the DSL remains within ±2.03 mm (±80 mils).

Over a Proximitor Sensor and extension cable temperature range of -35°C to +65°C (-31°F to +149°F) with the probe between 0°C to +45°C (+32°F to +113°F), the DSL remains within ±2.03 mm (±80 mils).

#### Recommended Minimum Target Size:

102 mm (4.0 in) diameter (flat target)

#### Electrical Classification:

Complies with the European CE mark.

#### Hazardous Area Approvals

NOTE
Multiple approvals for hazardous areas certified by Canadian Standards Association (C/US) in North America and by Baseefa in Europe.

North America

#### Division 1 (Intrinsically safe):

Ex ia IIC T4/T5; Class I Zone 0 or Class 1 Division 1; Groups A, B, C, and D, when installed with intrinsically safe

zener barriers per drawing 141092 or when installed with galvanic isolators.

**Division 2 (non-incendive):**

Ex nA IIC T4/T5 Class I Zone 2 or Class I, Division 2, Groups A, B, C, and D when installed without barriers per drawing 140979.

T5 @ Ta = -35 °C to +85 °C.

T4 @ Ta = -51 °C to +100 °C.

Europe

3300 XL 50 mm  
Proximitor Sensor, ia:

II 1 G EEx ia IIC T4/T5. Approved when installed per drawing 141092.

3300 XL 50 mm  
Proximitor Sensor, nA:

II 3 G Ex nA II T4/T5. Approved when installed per drawing 140979.

T5 @ Ta = -35 °C to +85 °C.

T4 @ Ta = -51 °C to +100 °C.

3300 XL 50 mm probe, ia:

II 1 G EEX ia IIC, Temperature Classification per Table 0-1.

3300 XL 50 mm probe, nA:

II 3 G EEX nA II, Temperature Classification per Table 0-1.

IEC Ex

3300 XL 50 mm Proximitor Sensor, ia

Ex ia IIC T4 (-51°C ≤ Ta ≤ +100°C) / T5 (-35°C ≤ Ta ≤ +85°C)

**Load Parameters**

The capacitance and either the inductance or the inductance to resistance (L/R) ratio of the load connected to the probe coaxial terminal, must not exceed the values in the table listed below.

Type Approval:	Gas Group	Capacitance (µF)	Inductance (mH)	L/R Ratio (µH/Ω)
ATEX and IEC Zone 0/1	IIC	0.078	0.99	29.2
	IIB	0.645	7.41	117.0
	IIA	2.144	15.6	234.0
CSA Div 1	A and B	0.070	1.0	29.2
	C	0.600	5.0	117.0
	D	2.09	11.0	234.0
	CSA Div 2	All	0.460	100.0

3300 XL 50 mm  
Proximitor Sensor, nA

Ex nA II T4 (-51°C ≤ Ta ≤ +100°C) / T5 (-35°C ≤ Ta ≤ +85°C)

3300 XL 50 mm  
Eddy Current Probes, ia

**Ex ia IIC Temperature Classification per Table 0-1.**

3300 XL 50 mm  
Eddy Current Probes, nA

**Ex nA II for Zone 2, Temperature Classification per Table 0-1.**

**Table 0-1: Probe Ex ia and Ex nA Temperature Classification**

Temperature Classification	Ambient Temperature (Probe Only)
T1	-51°C to +232°C
T2	-51°C to +177°C
T3	-51°C to +120°C
T4	-51°C to +80°C
T5	-51°C to +40°C

## Mechanical

### Probe Tip Material:

Polyphenylene Sulfide (PPS).

### Probe Case Material:

AISI 304 stainless steel (SST).

### Probe Cable Specifications:

75  $\Omega$  triaxial,  
perfluoroalkoxyethylene (PFA)  
insulated FluidLoc probe cable in  
the following total probe lengths:  
1, 5 or 9 metres.

### Extension Cable Material:

75  $\Omega$  triaxial,  
perfluoroalkoxyethylene (PFA)  
insulated FluidLoc cable.

### Proximator Sensor Material:

A380 aluminum

### Sliding Bracket Material:

Anodized aluminum and stainless  
steel

### System Length:

5 or 9 metres including extension  
cable

### Probe and Extension Cable Armor (optional):

Flexible SST with PFA outer jacket.

### Tensile Strength (maximum rated):

330 N (75 pounds) probe case to  
probe lead. 270 N (60 pounds) at  
probe lead to extension cable  
connectors.

### Connector material:

Gold-plated brass and gold-  
plated beryllium copper

## Torque Specifications

Description	Maximum Rated
All threaded probe cases	45 N•m (400 in•lbf)
M5x.8 sliding bracket cap screws	9.6 N•m (85 in•lbf)

### Connector-to-connector torque

#### Recommended torque:

Finger tight

#### Maximum torque:

0.565 N•m (5 in•lb)

#### Minimum Bend Radius (with or without sst armor):

25.4 mm (1.0 in)

### Environmental Limits

#### Probe Temperature Range

##### Operating and Storage Temperature:

-35°C to +200°C (-31°F to +392°F)

##### Short-term Operating and Storage Temperature:

+250°C (+482°F) for less than 24  
hours.

#### Extension Cable Temperature Range

##### Operating and Storage Temperature:

-51°C to +200°C (-31°F to +392°F)

#### Proximator Sensor Temperature Range

Operating  
Temperature:

-51°C to +100°C (-60°F to +212°F)

Storage  
Temperature:

-51°C to +105°C (-60°F to +221°F)

### Sliding Bracket Temperature Range

Operating and  
Storage  
Temperature:

-35°C to +200°C (-31°F to +392°F)

Relative  
Humidity:

Less than a 3% change in  
Average Scale Factor (ASF) when  
tested in accordance with IEC  
standard 68-2-66.

### Probe Pressure:

3300 XL probes are designed to  
seal differential pressure between  
the probe tip and case. The probe  
is sealed with Viton® O-rings.  
Probes are not pressure tested  
prior to shipment. Contact our  
custom design department if you  
require a test of the pressure seal  
for your application

**Note:** It is the responsibility of the customer or  
user to ensure that all liquids and gases are  
contained and safely controlled should leakage  
occur from a proximity probe. In addition,  
solutions with high or low pH values may erode  
the tip assembly of the probe causing media  
leakage into surrounding areas. Bently Nevada  
will not be held responsible for any damages  
resulting from leaking 3300 XL proximity probes.  
In addition, 3300 XL proximity probes will not be  
replaced under the service plan due to probe  
leakage.

### Patents:

5,685,884

6,293,005

6,643,909

7,239,133

Components or procedures described in these patents apply  
to this product.

## Ordering Information

Country specific approvals may be available.  
Please consult your local Customer Care  
Representative for more information.

### 3300 XL 50 mm Proximity Probe:

#### 330876-AXX-BXX-CXX-DXX

##### A: Probe Case Type Option

**01** ½-20 Thread – Straight Exit  
**02** M14x1.5 Thread – Straight Exit  
**03** Smooth 1.99 in dia - Side Exit

##### B: Total Length Option

**10** 1.0 metre (3.3 feet)  
**50** 5.0 metres (16.4 feet)  
**90** 9.0 metres (29.5 feet)

##### C: Armor Option

**00** High Temperature FluidLoc  
Cable  
**01** High Temperature FluidLoc  
Cable with Armor

##### D: Agency Approval Option

**00** No Approvals  
**05** Multiple Approvals

### 3300 XL 50 mm Proximitor Sensor

#### 330878-AXX-BXX

##### A: Total Length and Mounting Option

**50** 5.0 metres (16.4 feet) system  
length, panel mount  
**51** 5.0 metres (16.4 feet) system  
length, DIN mount  
**90** 9.0 metres (29.5 feet) system  
length, panel mount  
**91** 9.0 metres (29.5 feet) system  
length, DIN mount

##### B: Agency Approval Option

**00** No Approvals  
**05** Multiple Approvals

### 3300 XL 50 mm Extension Cable

#### 330877-AXXX-BXX-CXX

**Note:** Make sure that the extension cable length  
and the probe length, when added together,  
equal the Proximitor® Sensor total length.

##### A: Cable Length Option

**040** 4.0 metres (13.1 feet)  
**080** 8.0 metres (26.2 feet)

##### B: Armor and Cable Option

**36** FluidLoc ext. cable  
**37** FluidLoc ext. cable w/ armor

C: Agency Approval Option

- 00 No Approvals
- 05 Multiple Approvals

---

**Mounting Brackets**

Each Sliding Mounting Bracket comes with

- One sliding plate
- One base plate
- Sliding plate securing bolts with safety wire holes
- Lock washers

The material used for the mounting brackets is T6061-T6 aluminum. Base plate securing bolts are not provided; recommended bolt size is 3/8in or M8 socket head bolts.

---

**3300 XL 50 mm Sliding Probe Bracket and Clamp:**

**330879-AXX-BXX**

**A: Probe Clamp Style**

- 01 Left Exit
- 02 Right Exit
- 03 Two clamps (used for CIDE applications)<sup>1</sup>

**B: DE Mounting Bracket**

- 00 No Mounting Bracket; Clamp Only
- 01 Single DE Mounting Bracket<sup>2</sup>
- 02 Short CIDE Mounting Bracket<sup>3</sup>
- 03 Long CIDE Mounting Bracket<sup>3</sup>

This bracket is recommended for most installations. While any probe may be used, the smooth side exit probe is most often used with this bracket.

1. When ordering two clamps, one right exit and one left exit clamp will be provided so that the cables exit from the same side of the CIDE bracket.
2. The B01 probe mounting bracket option is only available with the A01 or A02 probe clamp style options.
3. The B02 and B03 probe mounting bracket options are only available with the A03 probe clamp style options.
4. When replacing 50mm DE 130713, part number 330879-AA-00 should be ordered. Ordering with BB=00 will prevent unnecessary parts from being ordered with the clamp.

---

**Sliding Mounting Brackets without clamps**

**131071-01**

Single Transducer Mounting Bracket

**131030-01**

Short Complementary Input Differential Expansion (CIDE) Mounting Bracket

**131031-01**

Long Complementary Input Differential Expansion (CIDE) Mounting Bracket

---

**Non-sliding Mounting Brackets**

**167285**

Kit, 50 mm Clamp Mount (used with smooth-case side exit or threaded straight exit probes).

**167286**

Kit, 50 mm Bolt Mount (used only with smooth-case side exit probes).

---

**Verification Kits**

Each verification kit comes with:

- a verification kit bracket
- a spindle micrometer with either 0 to 2 in or 0 to 50 mm range
- two set screws
- a bracket securing bolt

The material used for the verification kit bracket is T6061-T6 aluminum.

**131036-01**

Verification Kit, Spindle Micrometer with English Units

**131036-02**

Verification Kit, Spindle Micrometer with Metric Units



---

**Accessories**

173959

Manual

138492-01

Replacement panel-mount mounting pad

148722-01

**3300 XL Test Plug.** The 3300 XL Test Plug has three self-contained test pins attached to three color-coded wires 1 metre in length, each terminated in a banana plug. The three-pin adapter plugs into the test pin holes on 3300 XL-style Proximitors. It is used to check the performance of the Proximitors from the test pin holes in the terminal strip without requiring the removal of the field wiring.

138493-01

Replacement DIN-mount mounting pad

04310310

**3300 XL Proximitors Sensor Panel-mount Screws.** Package includes four 6-32 UNC thread forming mounting screws (Supplied standard with 3300 XL Proximitors Housings [3300 XL option]).

03200006

**Silicone self-fusing tape.** A 9.1 metre (10 yard) roll of silicone tape to protect connectors. It is easy to install and provides excellent electrical isolation and protection from the environment. It is not recommended for use inside the casing of the machine.

---

**Extended Range Micrometer Kit**

The extended range micrometer kit contains a precision micrometer and a 100 mm (4 inch) AISI 4140 target and is intended for acceptance testing of Bently Nevada extended range transducers. Bracket options are available to hold 8mm – 50mm probes as well as the 50 mm Integral DE transducer.

40180-02

**330187-AXX-BXX****A: Probe options**

- 01** 8 mm to 50 mm probe threaded or smooth cases
- 03** 8 mm to 50 mm probe threaded or smooth cases and an adapter for 50 mm Integral DE probes

03839410

**Connector Protectors.** Package contains 10 pairs of connector protectors.

**B: Micrometer Option**

- 01** Standard English 0-2 inch micrometer
- 02** Standard metric 0-50 mm micrometer

03839420

**Male Connector Protector.** Placed on the extension cable to connect to the female connector protector on the probe and provide environmental protection of connectors.

02120015

Bulk field wire. 1.0 mm<sup>2</sup> (18 AWG), 3 conductor, twisted, shielded cable with drain wire. Specify length in feet.

**Female Connector Protector.** Placed on the probe lead to connect to the male connector protector on the extension cable and provide environmental protection of connectors. Also placed on the extension cable to slide over the Proximitors Sensor connection and protect it from the environment.

02173009

Bulk field wire. 1.0 mm<sup>2</sup> (18 AWG), 3 conductor, twisted, shielded cable. Specify length in feet.

330153-10

**3300 XL 50 mm Connector Kit.**  
Used on 3300 XL 50 mm probes and extension cables. Contains one male (removable nut) and female ClickLoc connectors, color-coded sleeves and two pieces slit PFA tubing.

163356

**Connector Crimp Tool Kit.**  
Includes one set of multi-connector inserts and connector installation instructions. Supplied with carrying case.

173873

**High Temperature Cable Zip-Ties.** PEEK® cable tie is rated for use up to 200 C continuous temperature. Available in bags of 50 zip ties.

174804-01

**Side Exit Probe Adapter Kit.**  
Used to adapt side exit probes for the 330187 Extended Range Verification Kit.

# Graphs and Dimensional Drawings

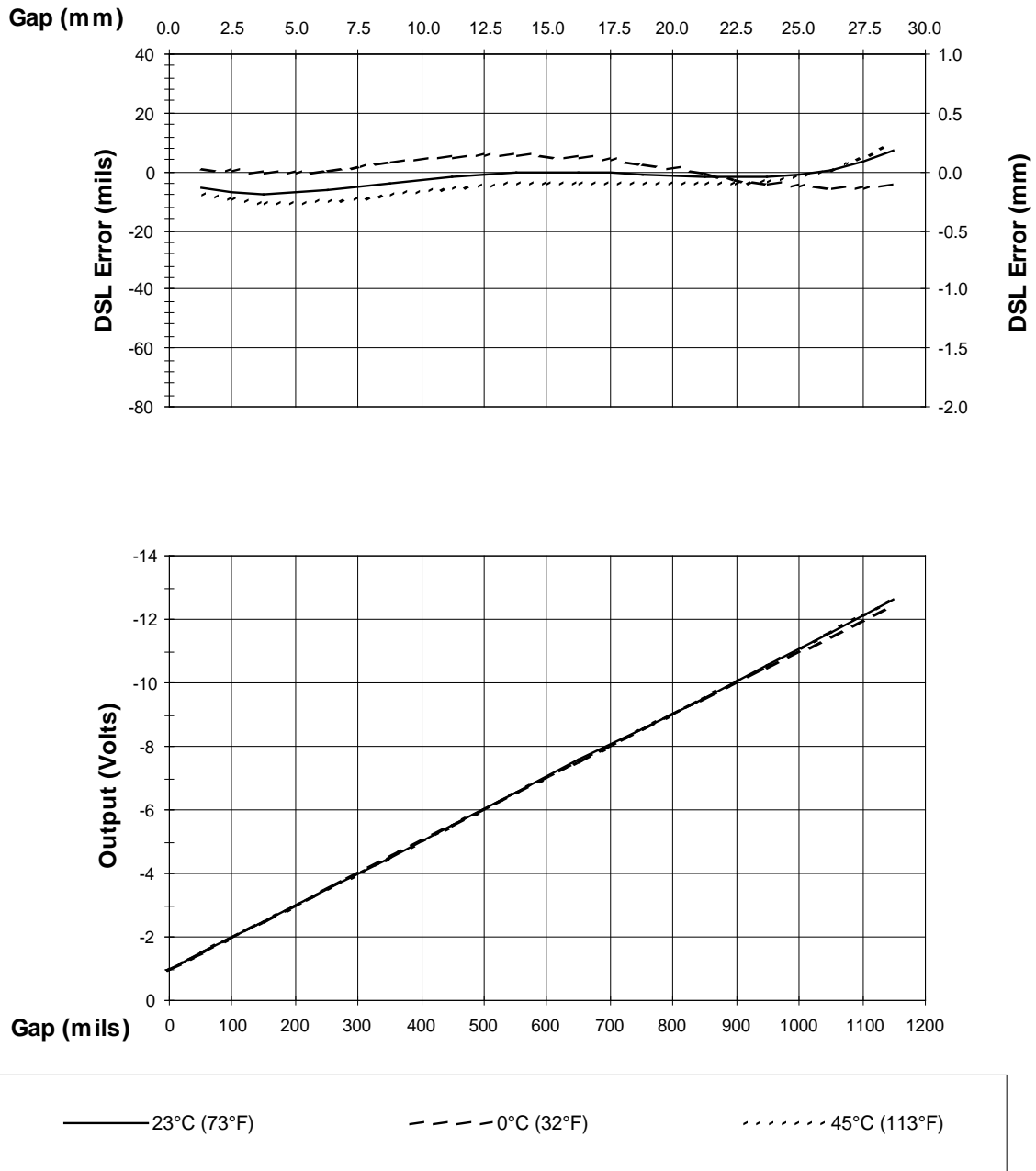


Figure 1 Typical 3300 XL 50 mm 5 m System Over Ambient Testing Range

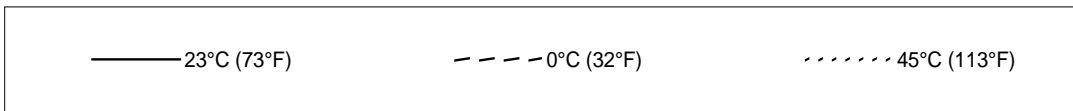
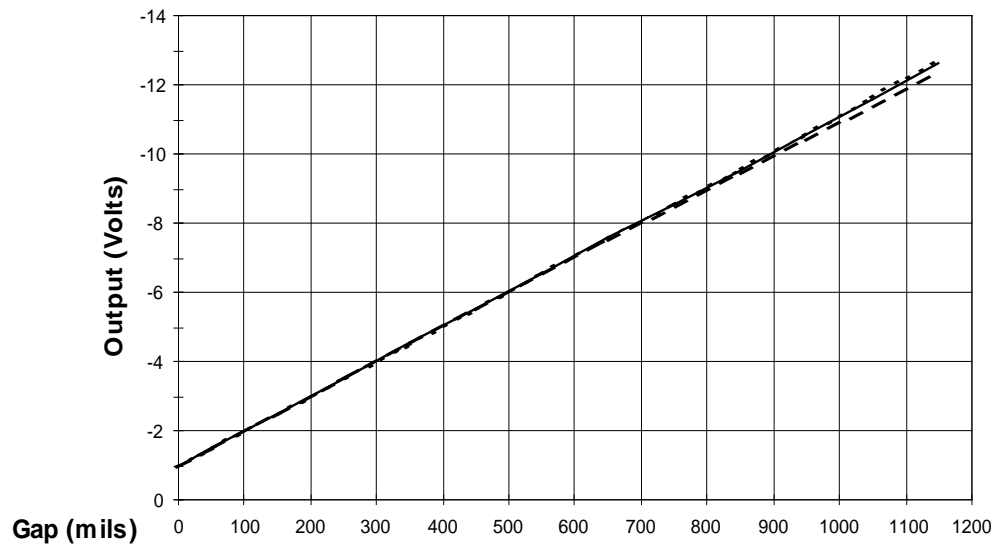
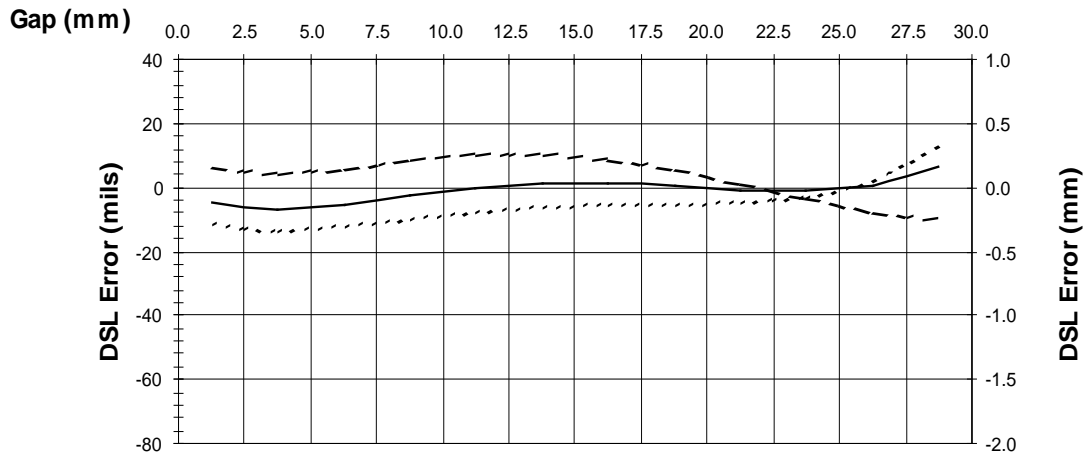


Figure 2 Typical 3300 XL 50 mm 9 m System Over Ambient Testing Range

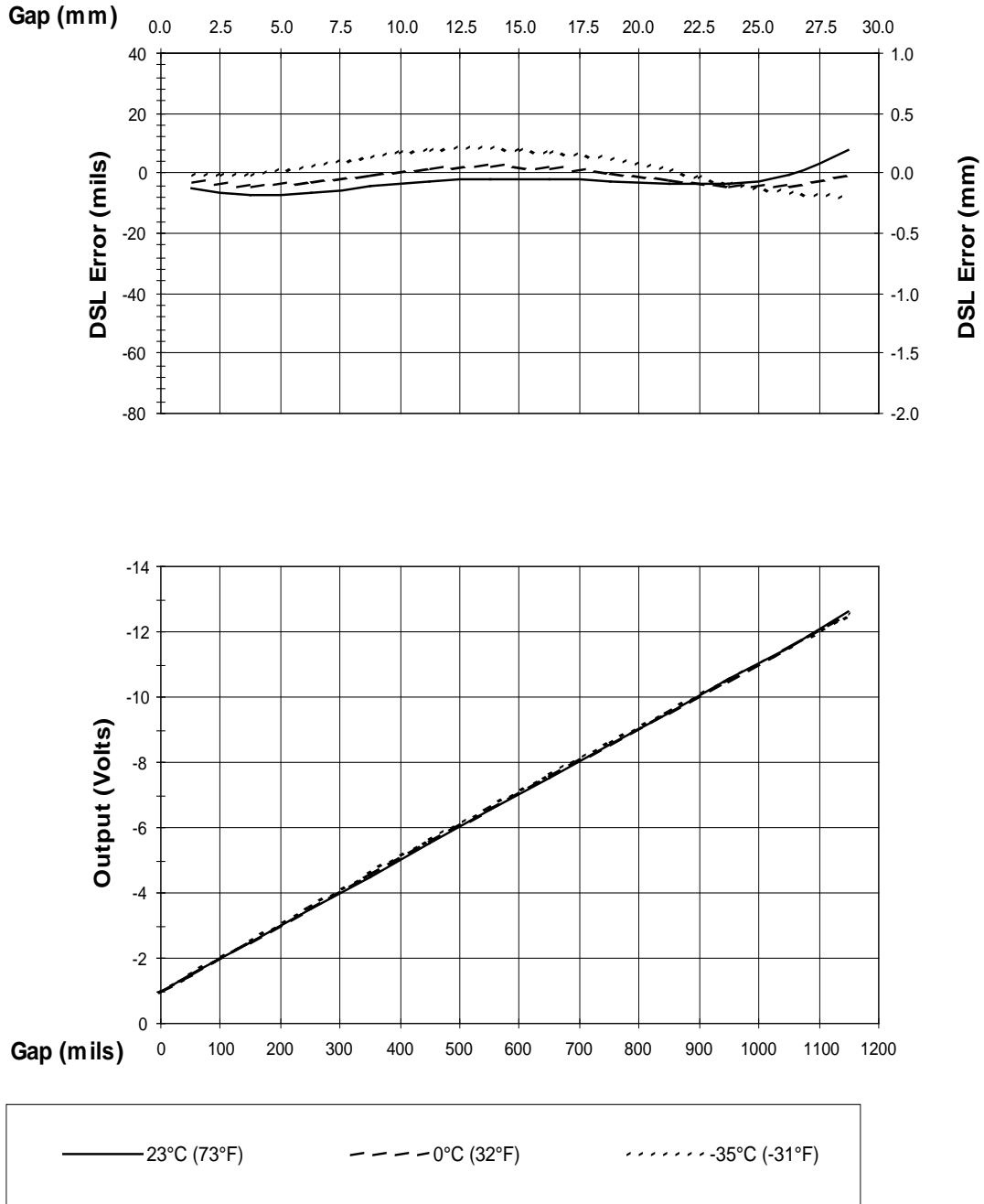


Figure 3 Typical 3300 XL 50 mm Probe + 1m Cable @ Low Temperature (Proximitor Sensor + 8m of Extension Cable @ 25 °C)

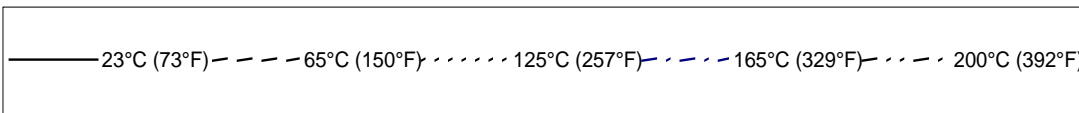
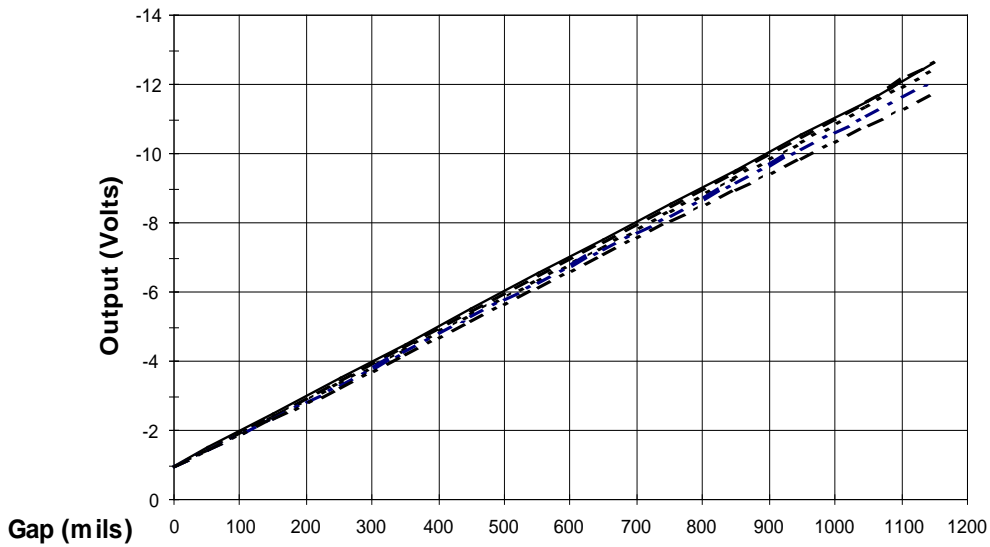
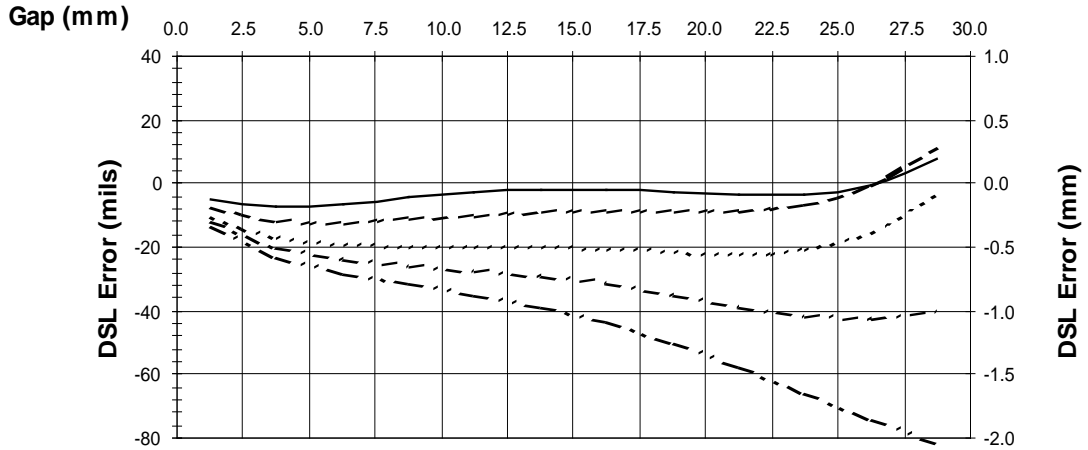


Figure 4 Typical 3300 XL 50 mm Probe + 1m Cable @ High Temperature (Proximito Sensor + 8m of Extension Cable @ 25 °C)

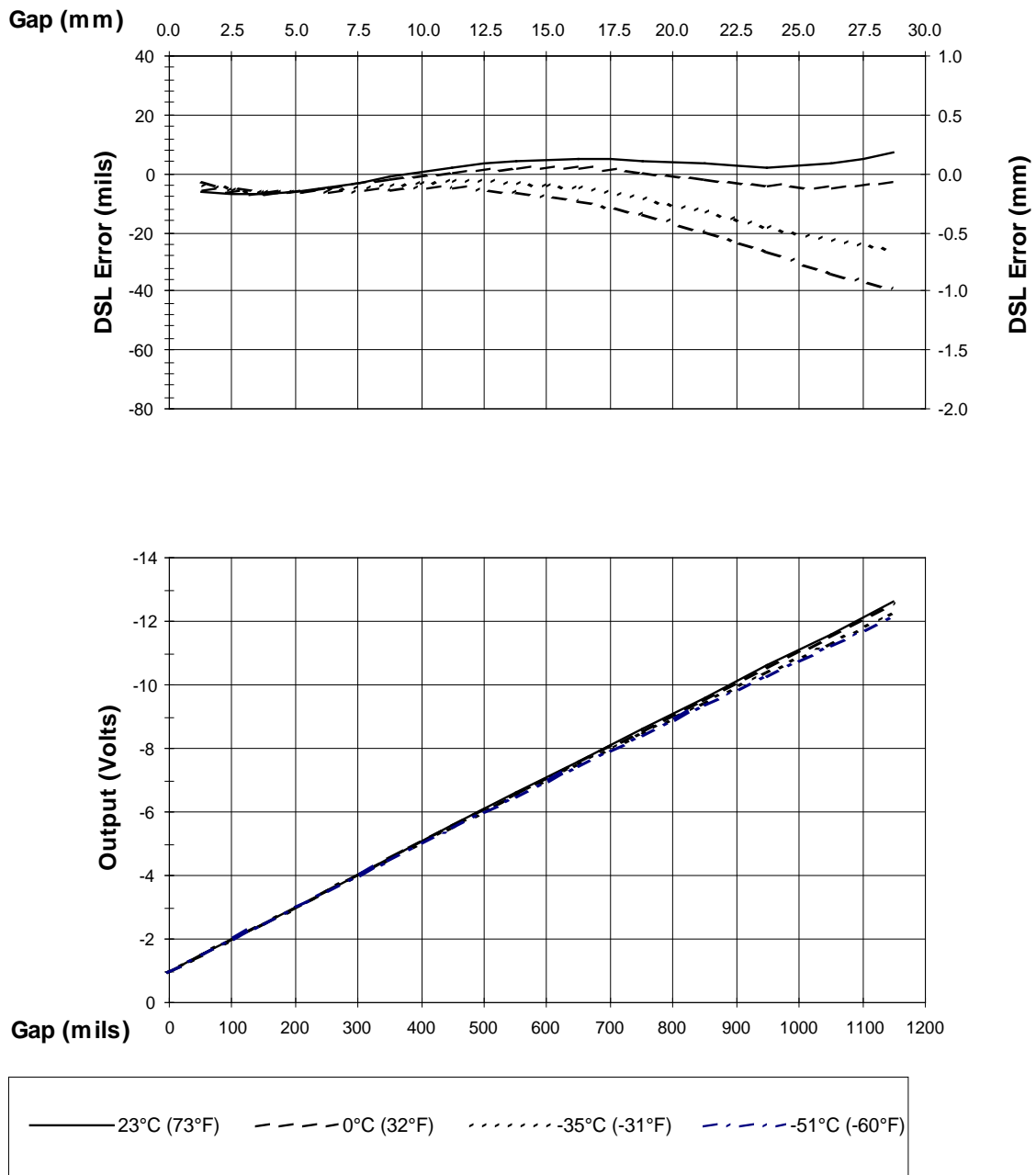


Figure 5 Typical 3300 XL 50 mm 5 m Proximity Sensor with 4 m of Extension Cable @ Cold Temperature (Probe is at 25°C)

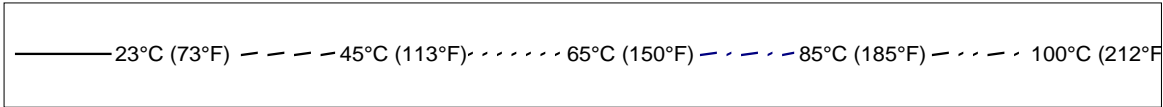
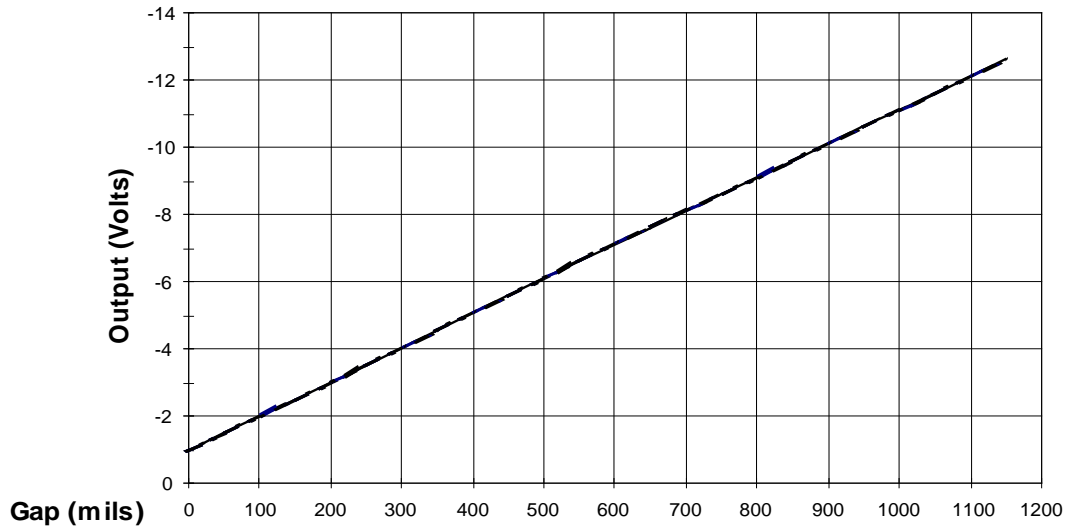
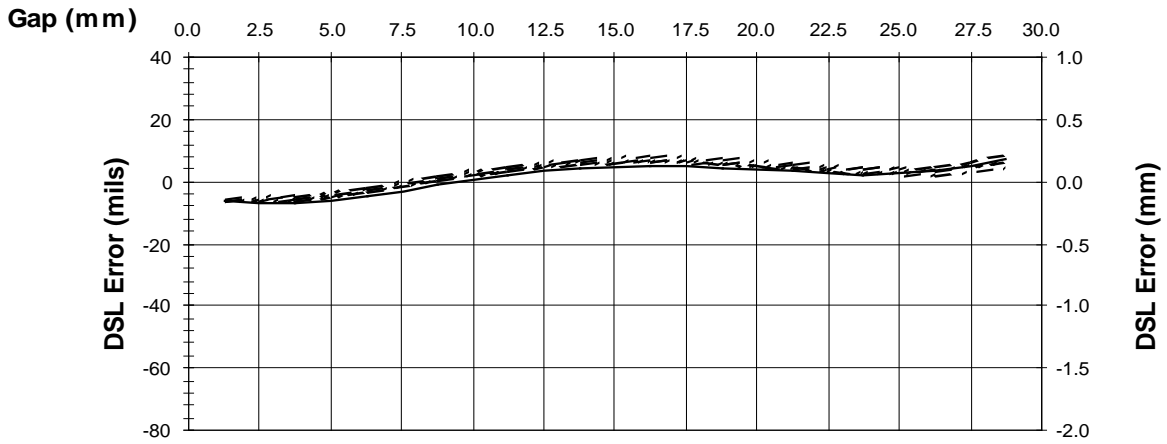


Figure 6 Typical 3300 XL 50 mm 5 m Proximitor Sensor with 4 m Extension Cable @ High Temperature (Probe is at 25°C)



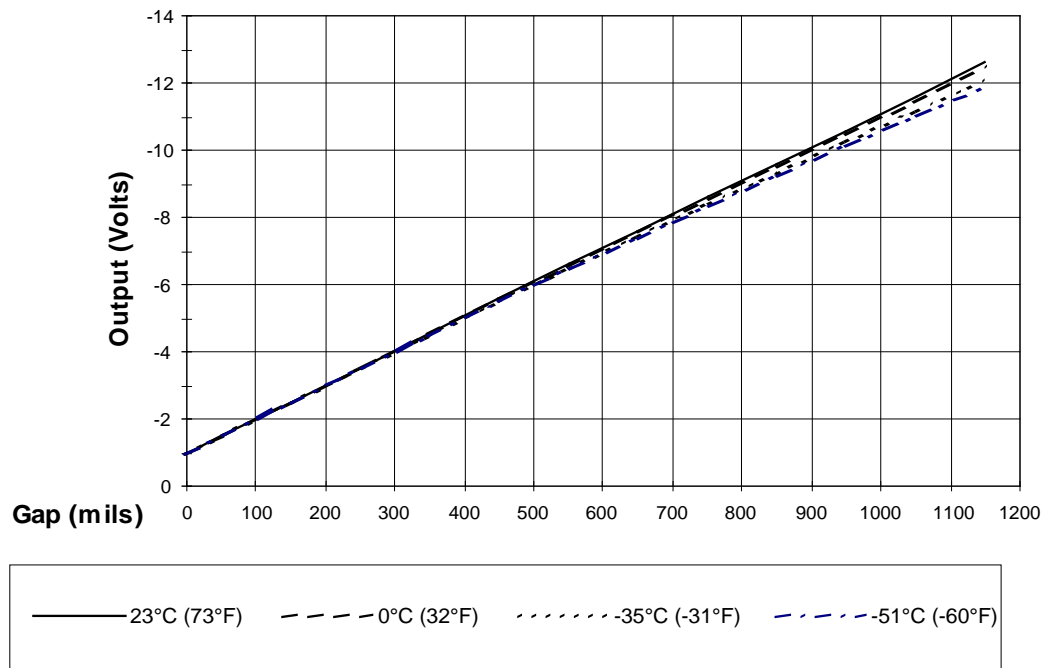
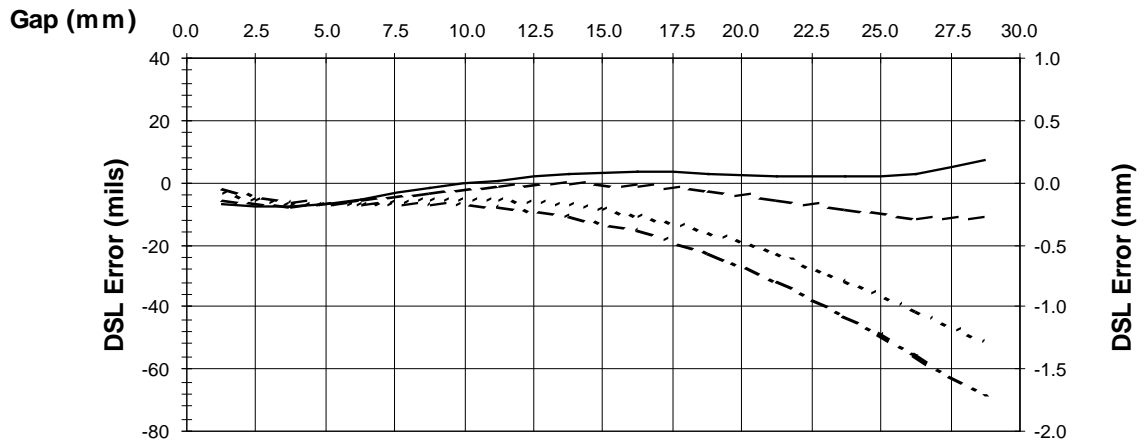


Figure 7 Typical 3300 XL 50 mm 9 m Proximitor Sensor with 8 m of Extension Cable @ Low Temperature (Probe is at 25°C)

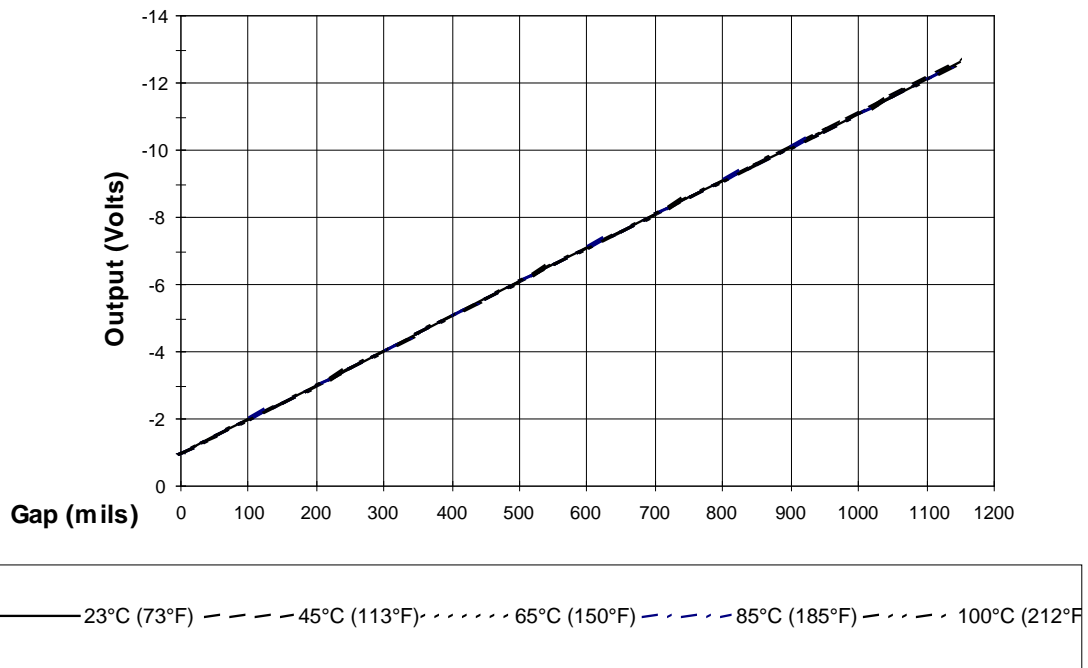
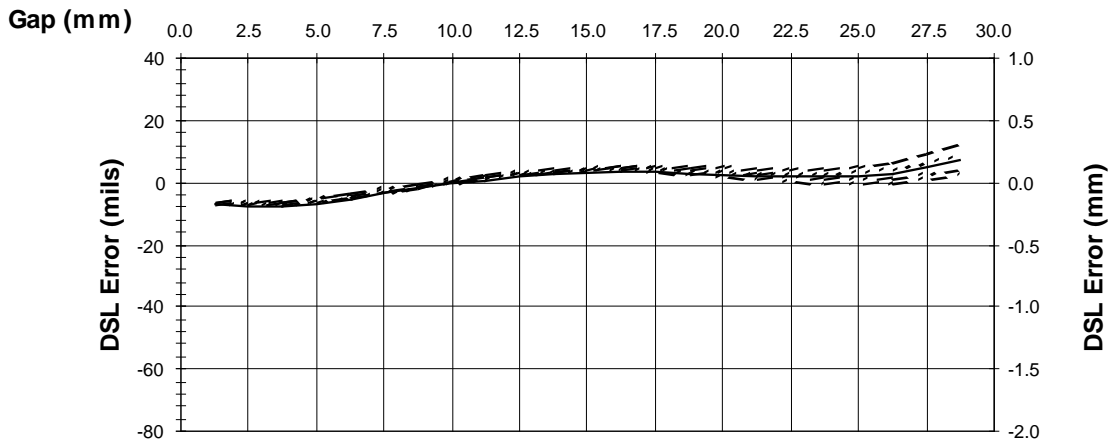
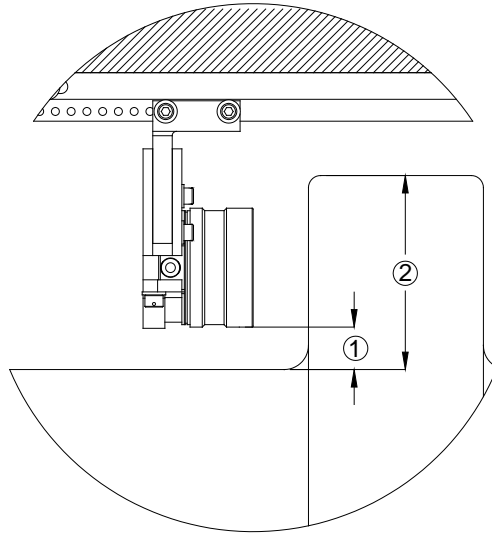


Figure 8 Typical 3300 XL 50 mm 9 m Proximitors with 8 m of Extension Cable @ High Temperature (Probe is at 25°C.)



- (1) Shaft to side of probe distance.
- (2) Collar Height.

### Probe Position vs. Collar Height Shaft to Side of Probe

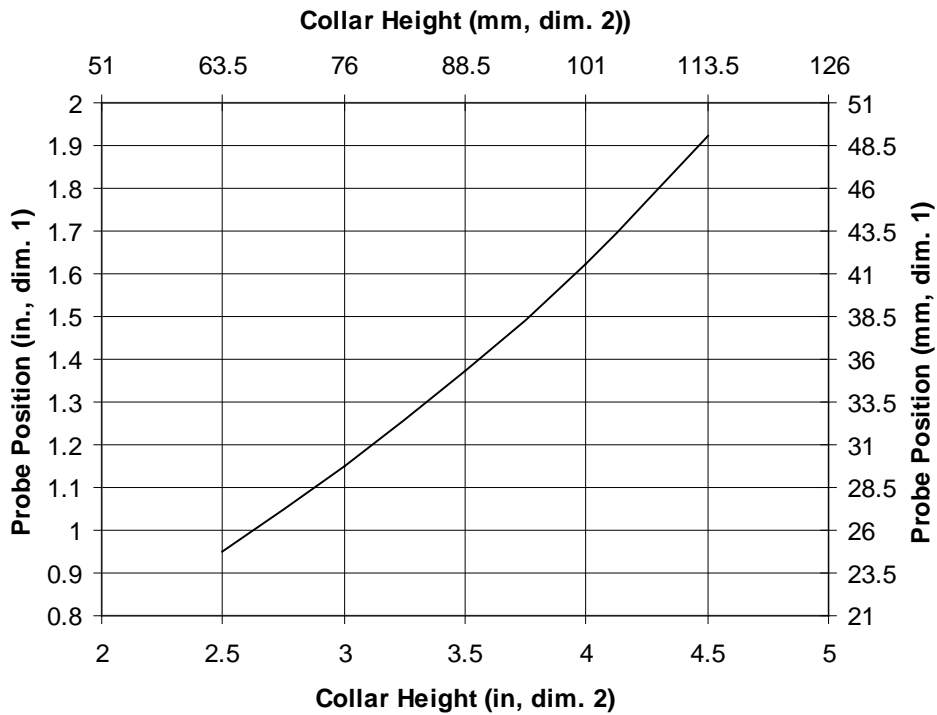
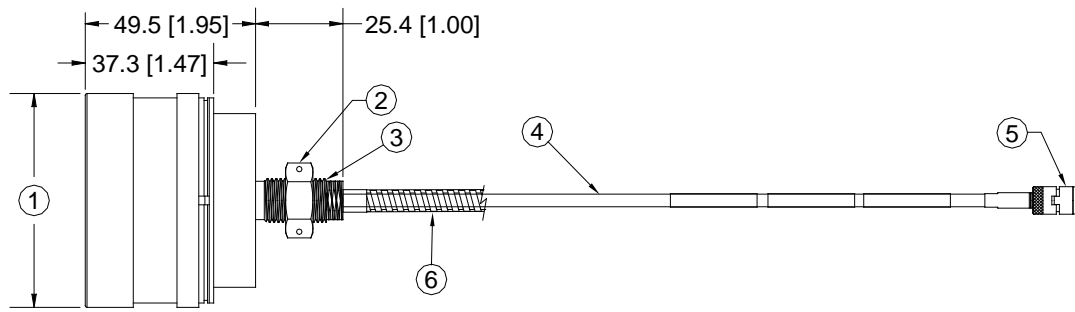
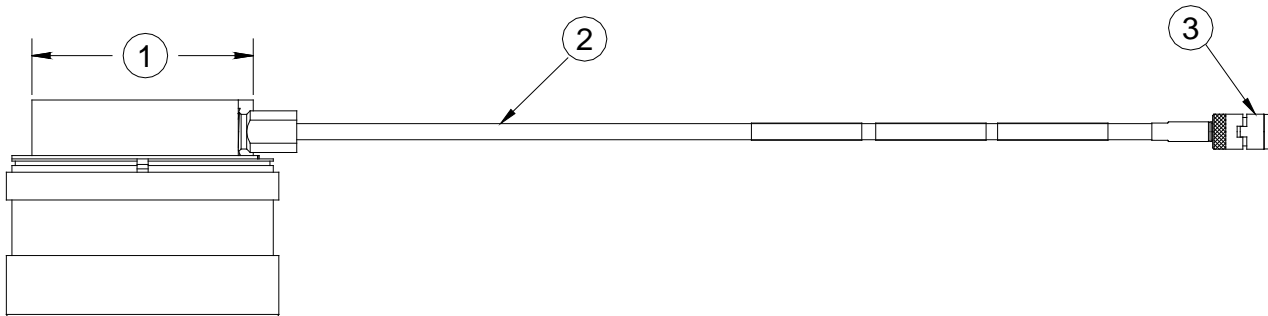


Figure 9 Recommended Probe Position Based on Collar Height



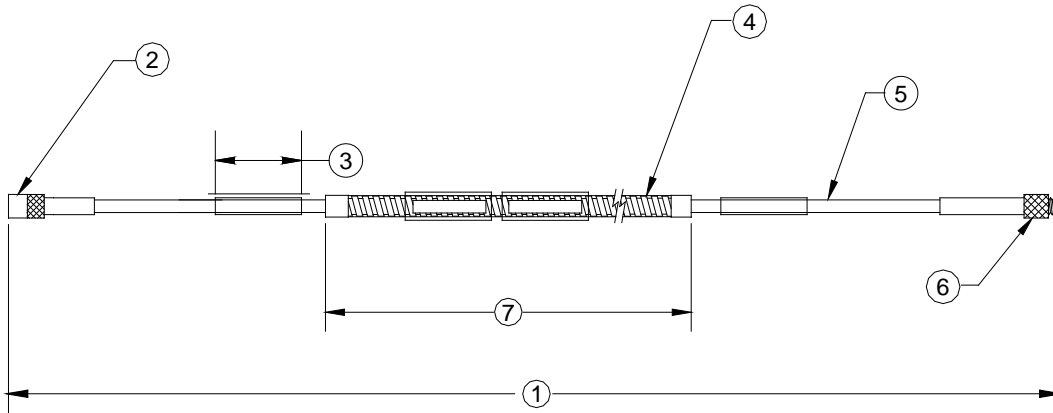
1. 62.2 mm (2.45 in) maximum diameter
2. 3/4-in or 21 mm diameter jam nut with safety wire holes
3. Case thread
4. FluidLoc coaxial cable with PFA Jacket, 3.94 mm (0.155 in) maximum diameter.
5. Miniature male coaxial connector, 8.0 mm (0.32 in) maximum diameter.
6. Optional Stainless steel armor with PFA jacket, 9.58 mm (0.377 in) maximum diameter; 12.7 mm (0.50 in) maximum diameter of armored ferrule.

**Figure 10 330876, 3300 XL 50 mm Proximity Probe, Straight Exit**



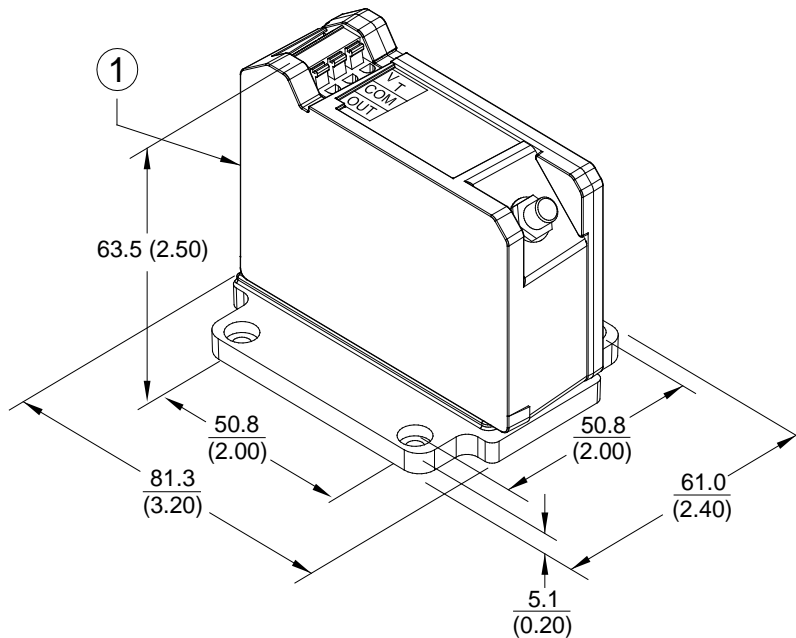
1. 50.5 mm (1.99 in) diameter
2. FluidLoc coaxial cable with PFA Jacket, 3.94 mm (0.155 in) maximum diameter.
3. Miniature male coaxial connector, 8.0 mm (0.32 in) maximum diameter.

**Figure 11 330876, 3300 XL 50 mm Proximity Probe, Smooth 1.99 Inch Dia. Side Exit Case**



1. Cable length +20%, -0%
2. Miniature male coaxial connector, 7.2 mm (0.29 in) maximum diameter
3. Customer shrink tubing, 84 mm (3.3 in), 2 places
4. Optional stainless steel armor with PFA jacket, 7.65 mm (0.301 in) maximum diameter; 10.12 mm (0.0400 in) maximum diameter of armored ferrule.
5. FluidLoc coaxial cable with PFA Jacket, 3.94 mm (0.155 in) maximum diameter
6. Miniature female coaxial connector, 7.24 mm (0.285 in) maximum diameter
7. Armor Length = Cable Length – 300 mm (11.8 in)

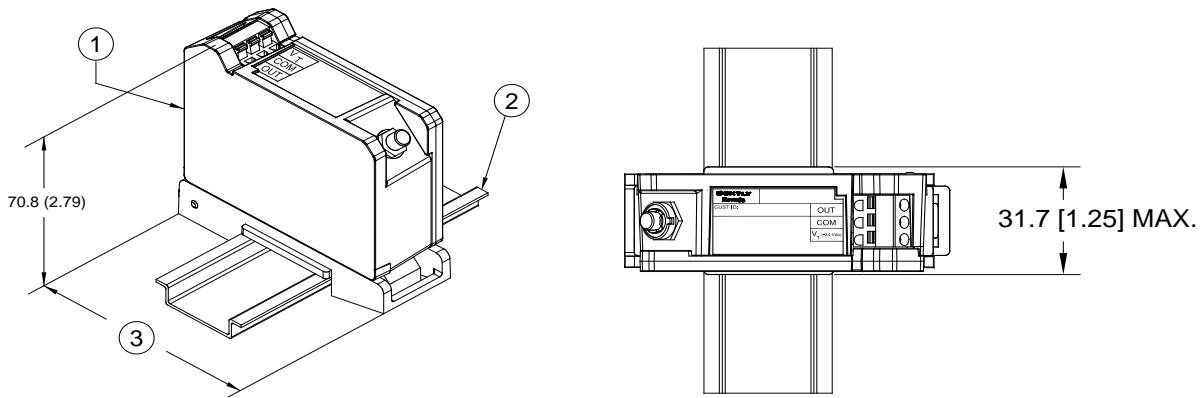
**Figure 12 330877, 3300 XL 50 mm Extension Cable**



Mounting Option "A" -50 or -90

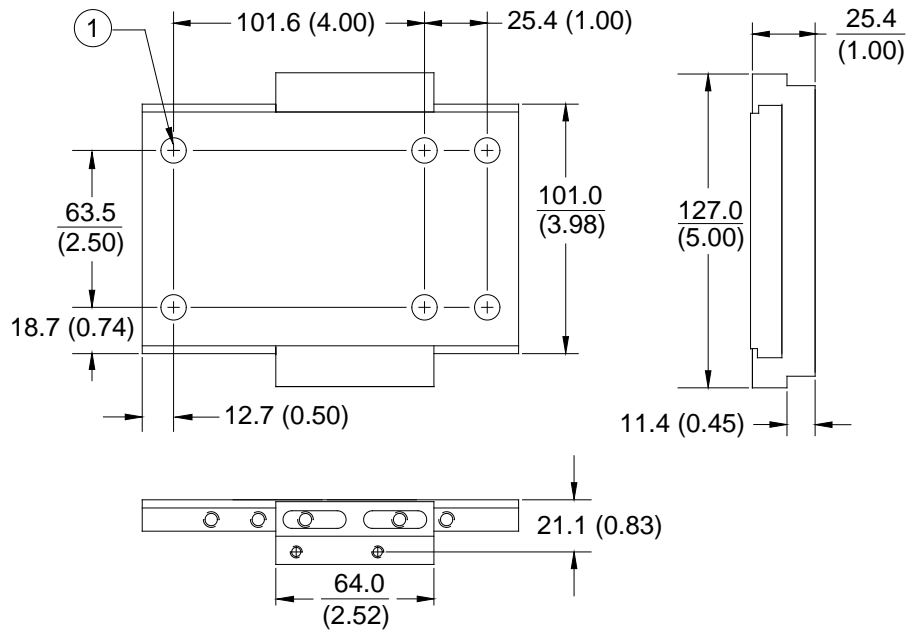
**Figure 13 330878 Panel Mount 3300 XL 50 mm Proximity Sensor**

Specifications and Ordering Information  
 Part Number 174014  
 Rev. E (04/15)



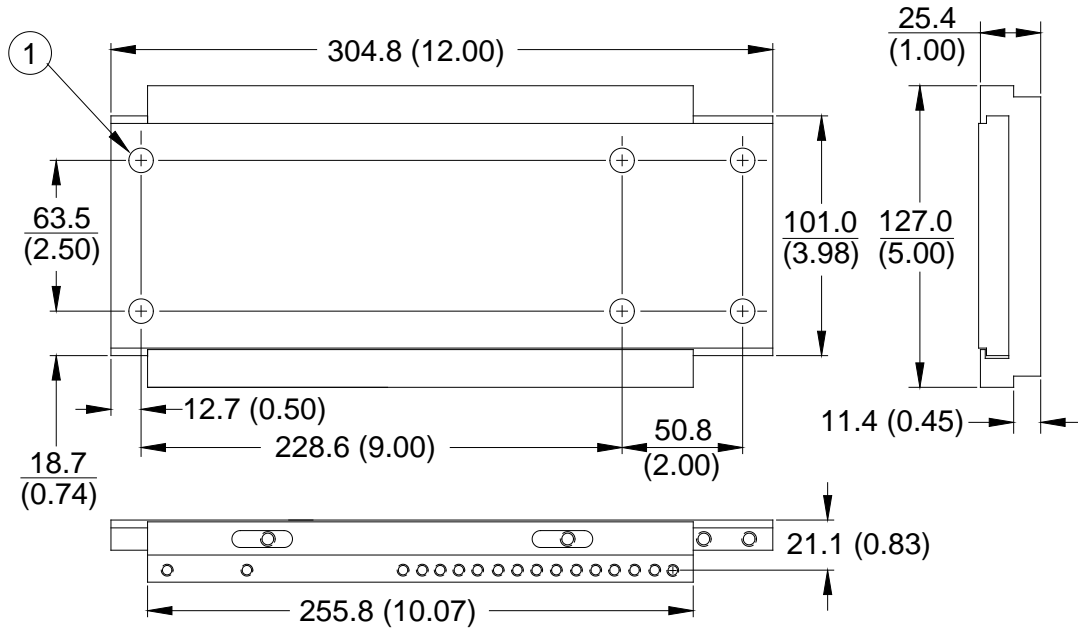
1. Mounting option "A" -51 or -91
2. 35mm DIN rail (not included)
3. 89.4 mm (3.52 in) (additional 3.05 mm (0.120 in) required to remove DIN rail)

**Figure 14 330878 DIN Mount 3300 XL 50 mm Proximity Sensor**



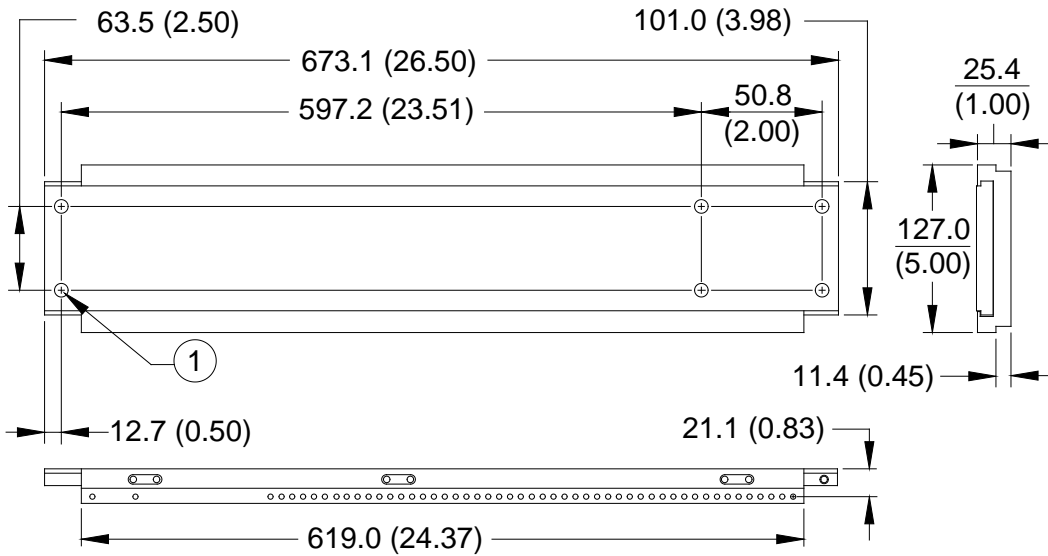
- (1) 10(0.40) diameter through, 15 (0.61) counterbore typical

**Figure 15 131071-01 Single Transducer Mounting Bracket**



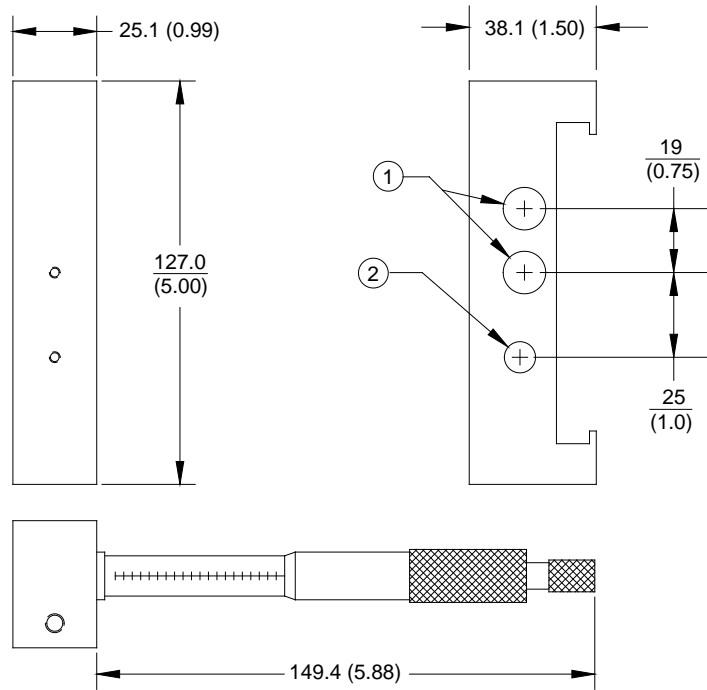
(1) 10(0.40) diameter through, 15 (0.61) counterbore typical

Figure 16 131030-01 Short Complementary Input Differential Expansion (CIDE) Mounting Bracket



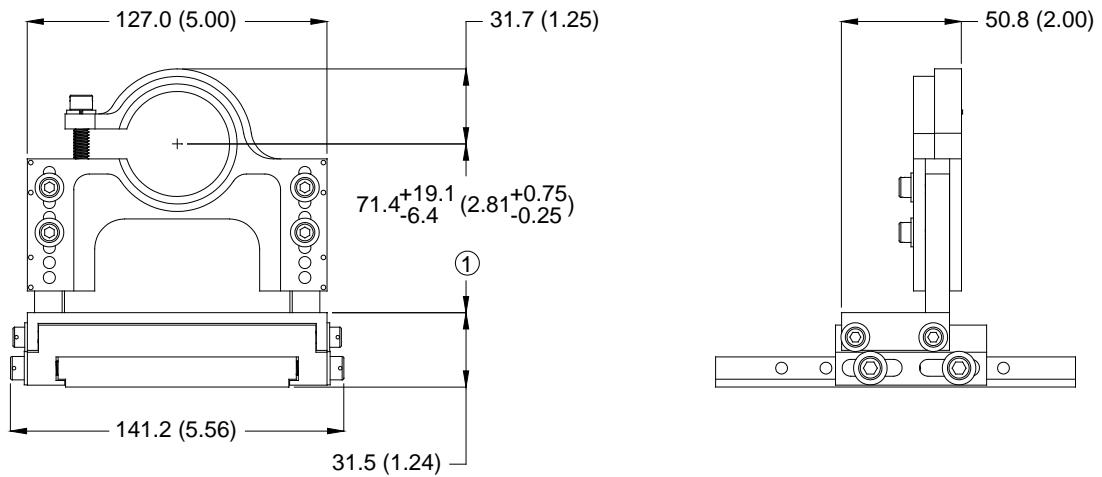
(1) 10 (0.40) diameter through, 15 (0.61) counterbore typical

Figure 17 131031-01 Long Complementary Input Differential Expansion (CIDE) Mounting Bracket



- (1) 12.7 (0.5) diameter, 2 places
- (2) 9.5 (0.37) diameter

**Figure 18 131036-01 and 131036-02 Verification Kit Spindle Micrometer**



- (1) Vertical adjustments in 1/4" increments

**Figure 19 330879 Probe Clamp (330879-01-01 Shown)**

Note: All dimensions on figures are in millimeters (inches) unless otherwise specified.



\* Denotes a trademark of Bently Nevada, Inc., a wholly owned subsidiary of General Electric Company.  
Viton® is a registered trademark of DuPont Dow Elastomers L.L.C.  
PEEK® is a registered trademark of Victrex.

© 2006 - 2015 Bently Nevada, Inc. All rights reserved.

Printed in USA. Uncontrolled when transmitted electronically.

1631 Bently Parkway South, Minden, Nevada USA 89423  
Phone: 775.782.3611 Fax: 775.215.2873  
<http://www.GEmeasurement.com>