

21128, CA21128, BA42608 Velocity Transducer Housings

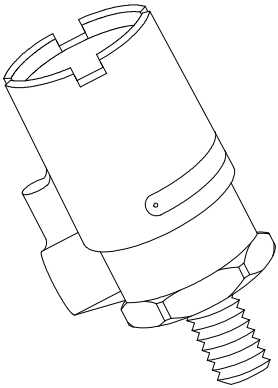
Bently Nevada* Asset Condition Monitoring

Description

Velocity Transducer Housings protect velocity sensors from damage caused by hose-directed water, corrosion, physical abuse, or other adverse environmental conditions.

Constructed of 303 stainless steel, these housings are designed to meet NEMA 4X and IP65 requirements when properly installed.

The 21128 housing is preferred for most non-hazardous environmental conditions. The CA21128 is the explosion-proof version that is CSA certified for use in Classes I, II, and III, Division 1, Groups B, C, D, E, F, and G. It must be ordered and shipped with a CSA approved velocity sensor installed in the assembly. The BA42608 housing is used for BASEEFA-approved installations where compliance with BS EN 60079 14 is necessary. It provides the environmental and physical protection needed to comply with the IP65 rating defined in IEC standard 144.



imagination at work

Specifications and Ordering Information
Part Number 141628-01
Rev. E (09/09)

Page 1 of 4

Specifications

Physical

Outlet Port Size:

1/2-in NPT.

Internal Mounting Thread

21128 and CA21128:

1/2-in 20 UNF.

BA42608:

5/8-in 18 UNF-2B.

Weight:

1.6 kg (3.55 lb) without velocity sensor or fittings.

Environmental Limits

Temperature rating:

-29°C to +121°C (-20 °F to +250°F)

Moisture:

Resistant to moisture and corrosion but is not submersible.

O-Ring material:

Neoprene

Ordering Information

Water and Corrosion-Resistant Velocity Transducer Housing

21128-AXX-BXX

Note: Compatible with all Bently Nevada velocity sensors having 1/2-in 20 UNF mounting threads and a top mount connector or equivalent, except for the Velomitor CT.

A: Mounting Thread Option

- 01** Unthreaded boss, 28.5 mm (1.125 in) diameter
- 02** 3/4-in 14 NPT
- 03** 1/2-in 14 NPT
- 04** 1/2-in 14 BSP (G 1/2-in)

B: Cable Exit Fitting Option

- 01** 1/2-in NPT plug
- 02** 1/2-in NPT, explosion-proof fitting
- 03** 1/2-in NPT, explosion-proof and cable grip fittings

Explosion-proof velocity housing including transducer

CA21128-AXX-BXX-CXX-DXX

Note: B00 Transducer Mounting Angle/Minimum Operating Frequency option is applicable to A00 and A01 Transducer Type Options. The others are applicable to the A04 Transducer Type Option.

A: Transducer Type Option

- 00** No Transducer
- 01** 330500 Velomitor® velocity sensor, data sheet 141632-01
- 04** 9200 Seismoprobe velocity sensor, data sheet 141626-01

B: Transducer Mounting Angle/Minimum Operating Frequency Option

- 00** No option
- 31** 0 ±2.5, 4.5 Hz (270 cpm)
- 32** 45 ±2.5, 4.5 Hz (270 cpm)
- 33** 90 ±2.5, 4.5 Hz (270 cpm)
- 36** 0 ±100, 10 Hz (600 cpm)
- 39** 0 ±180, 15 Hz (900 cpm)

C: Mounting Thread Option

- 01** Unthreaded boss, 28.5 mm (1.125 in) diameter
- 02** 3/4-in 14 NPT
- 03** 1/2-in 14 NPT
- 04** 1/2-in 14 BSP (G 1/2-in)

D: Cable Exit Fitting Option

- 01** 1/2-in NPT plug
- 02** 1/2-in NPT, explosion-proof fitting
- 03** 1/2-in NPT, explosion-proof and cable grip fittings

IP65 Water and Dust-Resistant Velocity Transducer Housing

BA42608-AXX-BXX

Note: Requires a BASEEFA-approved velocity sensor with an isolator having 5/8-in 18 UNF-2B male threads and a top mount terminal strip.

A: Mounting Thread Option

- 01** Unthreaded boss, 28.5 mm (1.125 in) diameter
- 02** 3/4-in 14 NPT
- 03** 1/2-in 14 NPT
- 04** 1/2-in 14 BSP (G 1/2-in)

Specifications and Ordering Information
Part Number 141628-01
Rev. E (09/09)

B: Cable Exit Fitting Option

- 01** 1/2-in NPT plug
- 02** 1/2-in NPT, explosion-proof fitting

- 03** 1/2-in NPT, explosion-proof and cable grip fittings

Dimensional Drawing

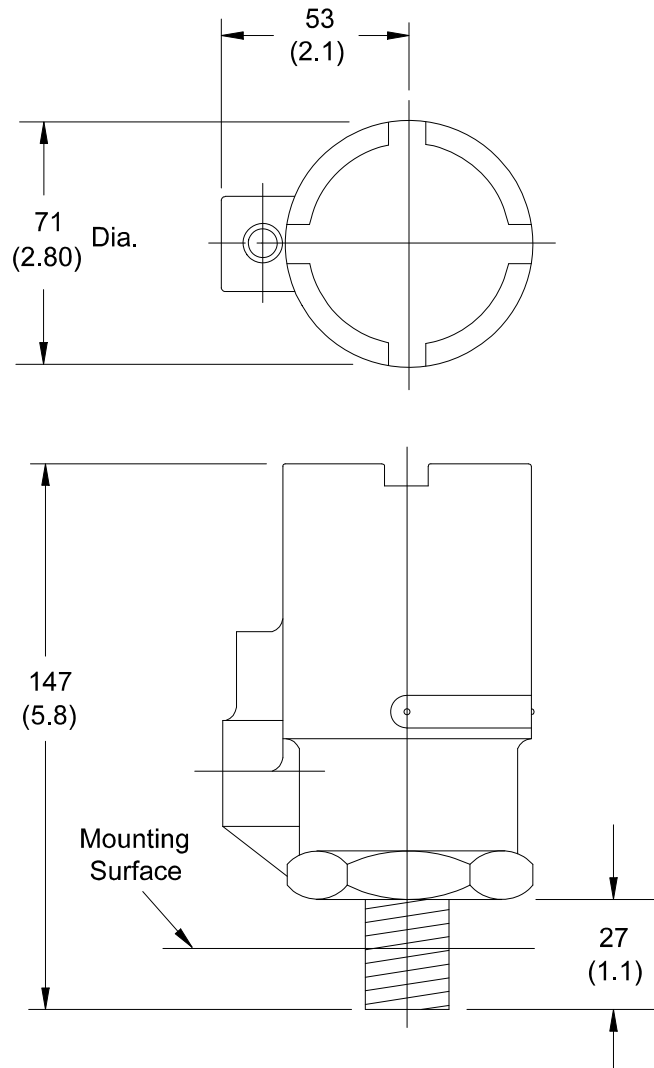


Figure 1: Velocity Transducer Housing
Dimensions are in millimetres (inches)

* denotes trademarks of Bently Nevada, LLC, a wholly owned subsidiary of General Electric Company.
Neoprene is a trademark of the DuPont Corporation.

© 1999 – 2009 Bently Nevada LLC. All rights reserved.

1631 Bently Parkway South, Minden, Nevada USA 89423
Phone: 775.782.3611 Fax: 775.215.2873
www.ge-energy.com/bently