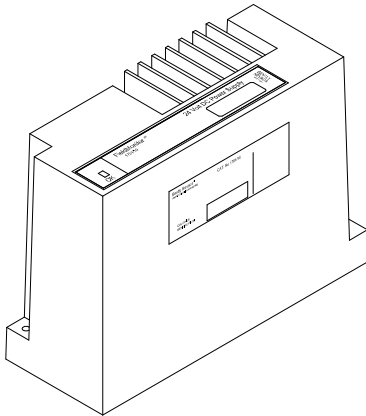


1701/10 FieldMonitor™ 24-Volt Power Supply

Bently Nevada™ Asset Condition Monitoring

Description

The 1701/10 24-volt dc Power Supply resides in a special slot in 1701/05 or 1701/06 FieldMonitor Terminal Bases. It provides all required logic and transducer voltages to the other FieldMonitor modules.



Specifications and Ordering Information
Part Number 141479-01
Rev. G (11/08)

Specifications

Inputs/Outputs

Specified at ambient temperature of +25°C (+77°F).

Input voltage range:

+ 18 V to + 36 V dc

Inrush current:

30 Amp pk nominal

Fusing:

250 V, 3 Amp, SB

Isolation Voltage:

850 Vdc, primary to chassis, 1 minute

Over voltage protection:

No damage to 50 Vdc

Input conductor size:

14 to 26 AWG

Physical

Dimensions (H X W X D):

105 mm x 150 mm x 56 mm
(4.1 in x 5.9 in x 2.2 in)

Weight:

0.57 kg (1.25 lb.)

Environmental Limits

Operating Temperature:

-20°C to + 70°C (-4°F to +158°F)

Storage Temperature:

-40°C to + 85°C (-40°F to +185°F)

Operating Humidity:

5% to 95% non-condensing relative humidity

Storage Humidity:

5% to 95% non-condensing relative humidity

Ordering Information

1701/10-01 24-Volt Power Supply.

Hazardous Area Approvals


North America


Ex nA IIC T4
Class I, Zone 2
Class I, Div 2
Groups A, B, C, D
T4 @ -30°C = Ta = +70°C
Per drawing # 139255

Certification Number

CSA 1166985

European/ATEX

 II 3G EEx nA [L] IIC T4
LCIE 00ATEX6016X
T4 @ -30°C = Ta = +70°C

 II 1/3 G EEx nA[ia] ia IIC T4
LCIE 00ATEX6017X
T4 @ -30°C = Ta = +70°C

Brazil

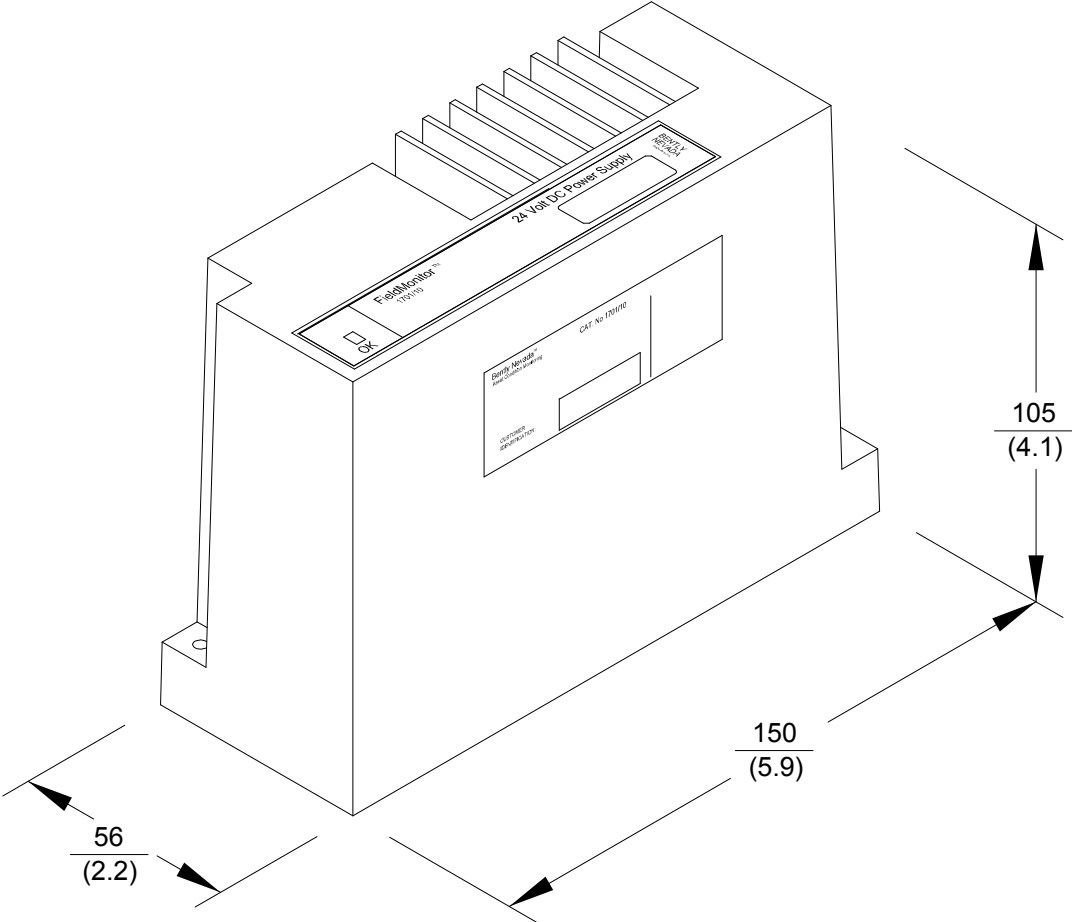
Br-Ex nA [nL] IIC T4
MC, AEX-8304-X
T4 @ -30°C = Ta = +70°C

Accessories

01700025

Spare fuse for 1701/10 24-volt dc Power Supply.

Graphs and Figures



Dimensions are in millimeters (inches)

Bently Nevada and FieldMonitor are trademarks of General Electric Company.

Copyright 1999. Bently Nevada LLC.
1631 Bently Parkway South, Minden, Nevada USA 89423
Phone: 775.782.3611 Fax: 775.215.2873
www.ge-energy.com/bently
All rights reserved.